

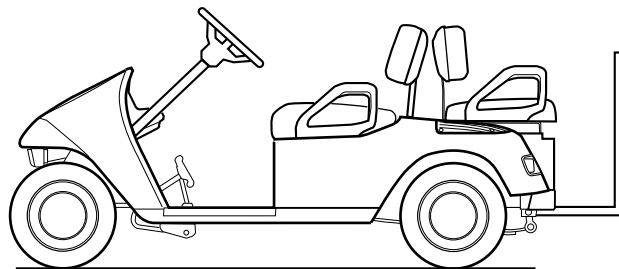
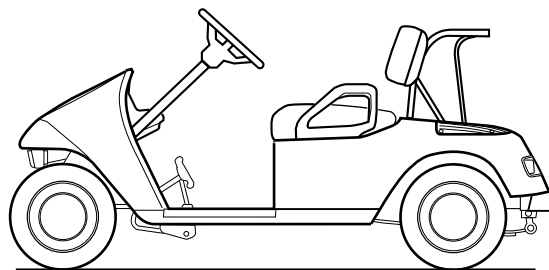


A Textron Company

SERVICE PARTS MANUAL

TXT 48V

ELECTRIC POWERED GOLF CAR



614278

ISSUED JANUARY 2010 REVISED JULY 2013

SERVICE PARTS MANUAL

**ELECTRIC POWERED
48V GOLF CARS**

**FLEET 48V GOLF CARS
FREEDOM 48V VEHICLE
SHUTTLE 2+2 48V VEHICLE**

STARTING MODEL YEAR 2010

E-Z-GO Division of TEXTRON Inc. reserves the right to incorporate engineering and design changes to products in this Manual, without obligation to include these changes on units leased/sold previously.

The information contained in this Manual may be revised periodically by the E-Z-GO Division, and therefore is subject to change without notice.

The E-Z-GO Division **DISCLAIMS LIABILITY FOR ERRORS IN THIS MANUAL**, and the E-Z-GO Division **SPECIFICALLY DISCLAIMS LIABILITY FOR INCIDENTAL AND CONSEQUENTIAL DAMAGES** resulting from the use of the information and materials in this Manual.

TO CONTACT US

NORTH AMERICA:

TECHNICAL ASSISTANCE & WARRANTY PHONE: 1-800-774-3946, FAX: 1-800-448-8124

SERVICE PARTS PHONE: 1-888-GET-EZGO (1-888-438-3946), FAX: 1-800-752-6175

INTERNATIONAL: PHONE: 001-706-798-4311, FAX: 001-706-771-4609

E-Z-GO DIVISION OF TEXTRON INC., 1451 MARVIN GRIFFIN ROAD, AUGUSTA, GEORGIA USA 30906-3852

GENERAL INFORMATION

This vehicle has been designed and manufactured in the United States of America (USA) as a 'World Vehicle'. The Standards and Specifications listed in the following text originate in the USA unless otherwise indicated.

The use of non Original Equipment Manufacturer (OEM) approved parts may void the warranty.

Tampering with or adjusting the governor to permit vehicle to operate at above factory specifications will void the vehicle warranty.

When servicing engines, all adjustments and replacement components must be per original vehicle specifications in order to maintain the United States of America Federal and State emission certification applicable at the time of manufacture.

BATTERY PROLONGED STORAGE

All batteries will self discharge over time. The rate of self discharge varies depending on the ambient temperature and the age and condition of the batteries.

A fully charged battery will not freeze in winter temperatures unless the temperature falls below -75° F (-60° C).

TABLE OF CONTENTS

SECTION	Page No.
HOW TO USE THE SERVICE PARTS MANUAL	vii
ACCELERATOR PEDAL ASSEMBLY	A-1
• Accelerator Pedal Pad	
• Accelerator Pedal Assembly	
• Switches	
BATTERY CHARGER	B-1
• Charger	
• Charger Cords	
• Cover	
• Handle	
BODY -	C-1
• Front Bumper	
• Front Splash Shield	
• Cowl	
• Nameplate	
• Instrument Panel	
• Instrument Panel Trim	
• Cup Holder	
BODY -	C-5
• Access Cover	
• Floorboard	
• Floormat	
• Seat Support	
BODY -	C-7
• Rear Body	
• Rear Splash Shields	
• Rocker Panels	
• Bagwell Liner	
• Access Panel	
• Scuff Guards	
• Rear Bumper	
BODY -	C-11
• Rear Foot Rest	
• Rear Handhold	
• Two Bag Attachment	
BODY -	C-13
• Side Baskets	
• Sand Bottle	
• Cooler	
• Divot Repair	
BODY -	C-15
• Message Holder	
• Cooler Jug and Bracket	
• Rake Holder	
BODY -	C-17
• Four Bag Attachment	
• Ash Tray	

TABLE OF CONTENTS

SECTION	Page No.
BODY -	C-19
• Sandmug	
BRAKES - MECHANICAL	D-1
• Brake Pedal Pad	
• Brake Pedal Assembly	
• Brake Pedal Return Spring	
• Switches	
ELECTRICAL	F-1
• Batteries	
• Battery Tray	
• Battery Hold Down	
• Battery Strap	
• Horn Assembly	
• Horn Button	
• State of Charge Meter	
• Headlights	
• Tail Lights	
• Turn Signal Switch	
• Headlight Switch	
ELECTRONIC SPEED CONTROL	G-1
• Controller Assembly	
• Resistor Assembly	
• Resistor Mounting Bracket	
• Sensor	
FRONT SUSPENSION & STEERING	H-1
• Steering Rack Assembly	
• Steering Column	
• Steering Wheel	
• Score Card Holder	
MOTOR	J-1
REAR AXLE	K-1
• Axle Assembly	
• Rear Hub	
• Wheel Bolt	
• Axle Shaft	
REAR SUSPENSION	L-1
• Shocks	
• Leaf Spring	
• Shackles	
• Bushings	
SEATING	M-1
• Front Seat Bottom	
• Front Seat Back	
• Hip Restraints	
• Seat Back Support	
• Sweater Basket	
• Bag Strap	
• Bag Strap Clamp	

TABLE OF CONTENTS

SECTION	Page No.
TOW BAR - PERMANENT	N-1
• Tow Bar	
• Latch	
• Retainer	
TOW BAR - CASUAL	N-5
• Steering Link	
• Front Casting	
• Spacer	
• Rod Ends	
WEATHER PROTECTION - GOLF CAR	P-1
• Sun Top	
• Top Struts	
• Windshield	
WHEELS AND TIRES	Q-1
• Tires	
• Wheels	
• Lug Nuts	
• Dust Cap	
• Wheel Cover	
SPECIALTY PRODUCTS	Appendix A
OPTIONS AND ACCESSORIES	Appendix B

NOTES

A large grid of graph paper with 20 columns and 30 rows, intended for taking notes. The grid is composed of thin black lines forming small squares.

HOW TO USE THE SERVICE PARTS MANUAL

This manual is divided into several sections:

- GENERAL INFORMATION
- ILLUSTRATED PARTS BREAKDOWN
- APPENDIX

The first section, GENERAL INFORMATION, contains the following information:

- WARRANTY INFORMATION
- GENERAL INDEX
- HOW TO USE THE SERVICE PARTS MANUAL

The second section, ILLUSTRATED PARTS BREAKDOWN, contains illustrations and parts lists for all systems of your vehicle.

The third section, APPENDIX, contains a listing of specialty products and accessories.

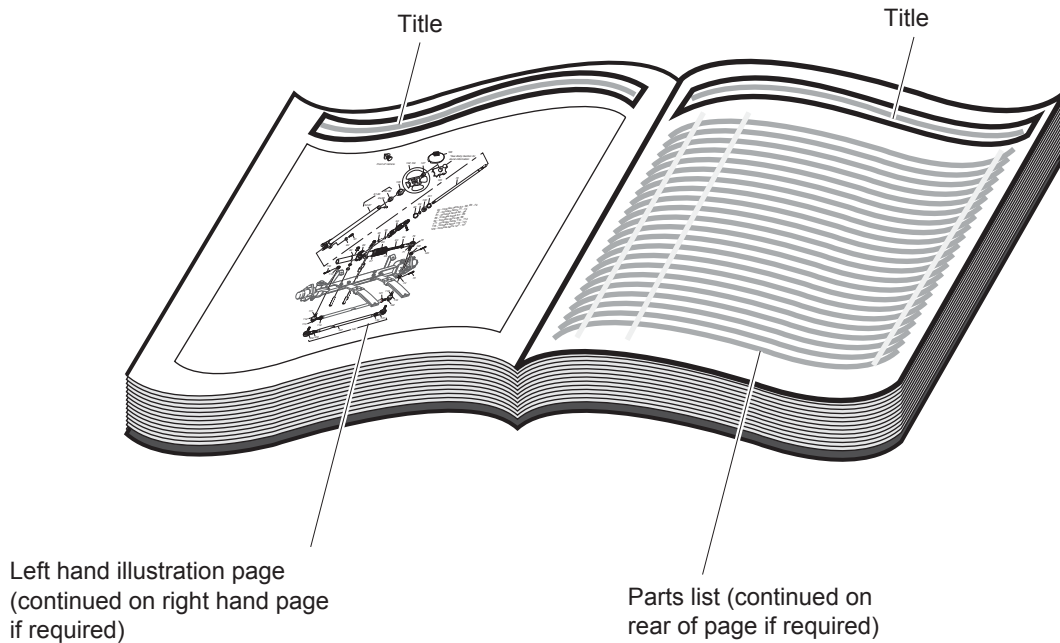
USE OF THE MANUAL

To use this manual, consult the GENERAL INDEX to locate the information or illustration required.

Introduction of some revisions varies due to supply of components; therefore, it is possible that various combinations of components may be found that are not directly reflected by each illustration. Consult the illustration that best suits your situation and then contact the Service Parts Department. It is important that the serial number of your vehicle and its model number be supplied to Service Parts when ordering any replacement components.

Locate the serial number plate (see BODY located in the Illustrated Parts Breakdown section of this manual for its location) and note the complete number shown on the plate.

HOW TO USE THE SERVICE PARTS MANUAL



1. WHEN THE PART NUMBER IS NOT KNOWN

- Determine the function and application of the part required. Turn to the General Index and select the most appropriate title.
- Turn to the page number indicated and locate the desired part on the illustration.
- From the illustration, obtain the item number assigned to the desired part. Refer to the accompanying description for specific information regarding the part.

2. IF YOU KNOW THE PART NUMBER

- Locate the part number or description in the appropriate column on the parts list page.

NOTE: It is suggested that you confirm that the part selected is correct by verifying it with the pictorial representation on the illustrated page.

Should an asterisk (*) appear in the part number column on the parts list page, read upwards until a part number is found. The part number is the lowest assembly sold by Service Parts and the asterisk (*) indicates that the part depicted is not available for purchase.

NOTE: Descriptions are indented under the assembly that they are used on. That assembly is, in turn listed under the assembly that it is used on. This process is repeated until the highest final assembly is reached.

To facilitate the maintenance and repair of the vehicle, a Technician's Repair and Service Manual is available from the Service Parts Department.

HOW TO USE THE SERVICE PARTS MANUAL

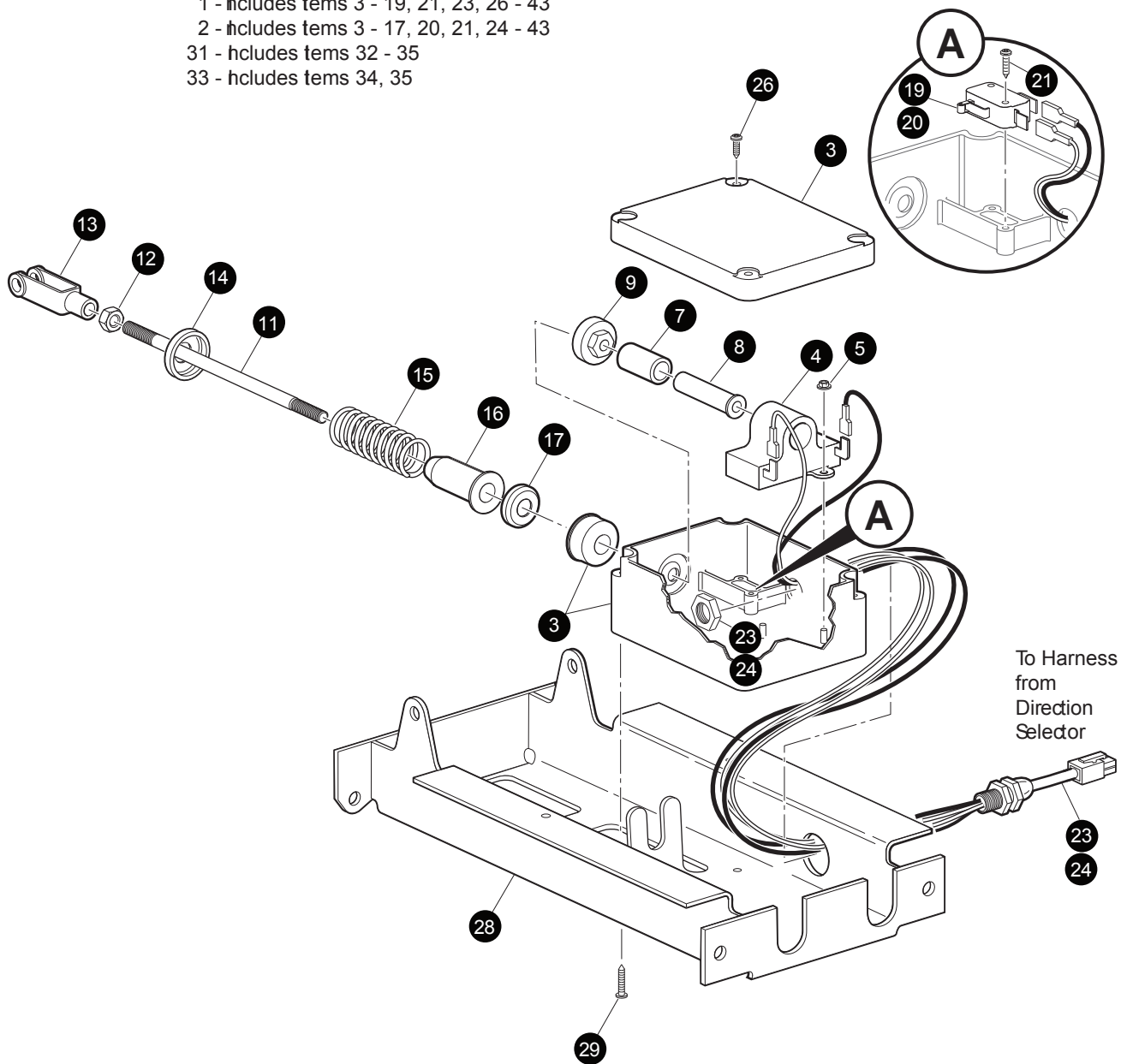
3. COLOR CODE FOR BODY COMPONENTS

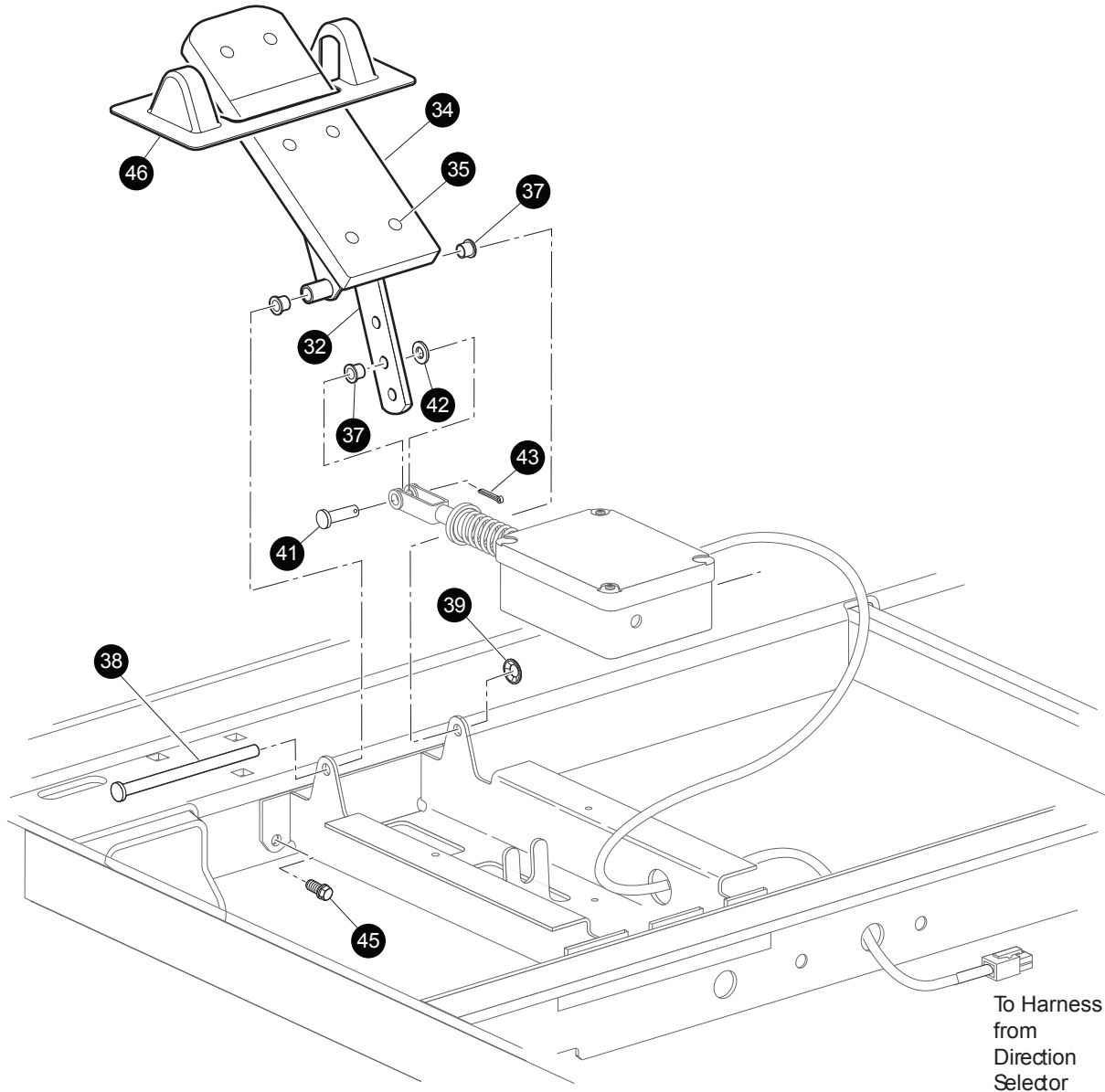
The last two digits of the part number for the body part will denote the color code, locate the part number for the cowl, rear body, seat pod, side panel or seat wrap then locate your color in the list below, replace the last ** or XX with the two digit color code.

<u>CODE #</u>	<u>DESCRIPTION</u>	<u>CODE #</u>	<u>DESCRIPTION</u>
01	NO PAINT	53	MOSSY OAK NEW BREAK UP - DIPPED
02	SPECIAL COLOR	54	MOSSY OAK OBSESSION - DIPPED
05	JACOBSEN ORANGE	55	REALTREE ADVANTAGE MAX 4 - DIPPED
06	LIGHT GOLD PEARL	56	REALTREE HARDWOOD BROWN - DIPPED
07	SILVER PEARL METALLIC	57	REALTREE AP HOT PINK - DIPPED
11	BLACK	58	BLACK / SILVER MARBLE - DIPPED
12	EMERALD GREEN PEARL	59	RED / SILVER MARBLE - DIPPED
13	CLOUD GREY	60	HOT PINK / SILVER MARBLE - DIPPED
14	VIPER BLUE METALLIC	61	REALTREE AP
19	PATRIOT BLUE PEARL	62	REALTREE MAX 4
20	INFERNO RED METALLIC	63	MOSSY OAK BREAKUP
23	ADVANTAGE CLASSIC CAMO	64	MOSSY OAK TREESTAND
24	NATURAL	65	REALTREE APG
25	VIVID NEW HOLLAND BLUE	66	REALTREE MAX 1
26	STEEL BLUE PEARL	67	REALTREE AP PINK
27	BRIGHT SILVER METALLIC	68	REALTREE AP - DIPPED
29	PRIMER ONLY	69	MONSTER GREEN
30	HD ADVANTAGE CAMO	70	REAL TREE ADVANTAGE MAX1 AP
31	METALLIC CHARCOAL	71	REAR TREE AP SNOW DIPPED
32	LIGHT ALMOND PEARL	72	MATTE BLACK
33	TIMBERLINE GREEN	73	MATTE GREEN
34	DEEP MOLTEN RED	74	BARLEY GOLD
35	SAFETY YELLOW	75	OASIS GREEN
36	IVORY	76	JAVA BROWN
37	FOREST GREEN	77	SEMI GLOSS BLACK (FOR METAL PARTS)
38	BRIGHT WHITE		
39	FLAME RED		
40	BLACK		
41	ELECTRIC BLUE		
42	PLATINUM		
43	BURGUNDY		
44	ALMOND		
45	BLACK		
46	FLAME RED		
47	BURLINGTON GREEN		
48	BLACK		
49	FLAME RED		
50	RECON GREEN		
51	SUNBURST ORANGE		
52	BRITISH RACING GREEN		

ACCELERATOR

- 1 - includes tems 3 - 19, 21, 23, 26 - 43
- 2 - includes tems 3 - 17, 20, 21, 24 - 43
- 31 - hcludes tems 32 - 35
- 33 - hcludes tems 34, 35





ACCELERATOR

Where applicable, THE USE OF NON UL PARTS WILL VOID ANY UL LISTING.

When ordering parts, please specify the model and serial number of the product.

* Indicates a component that is not available as an individual part.

G** Indicates consult Customer Service Department for additional information.

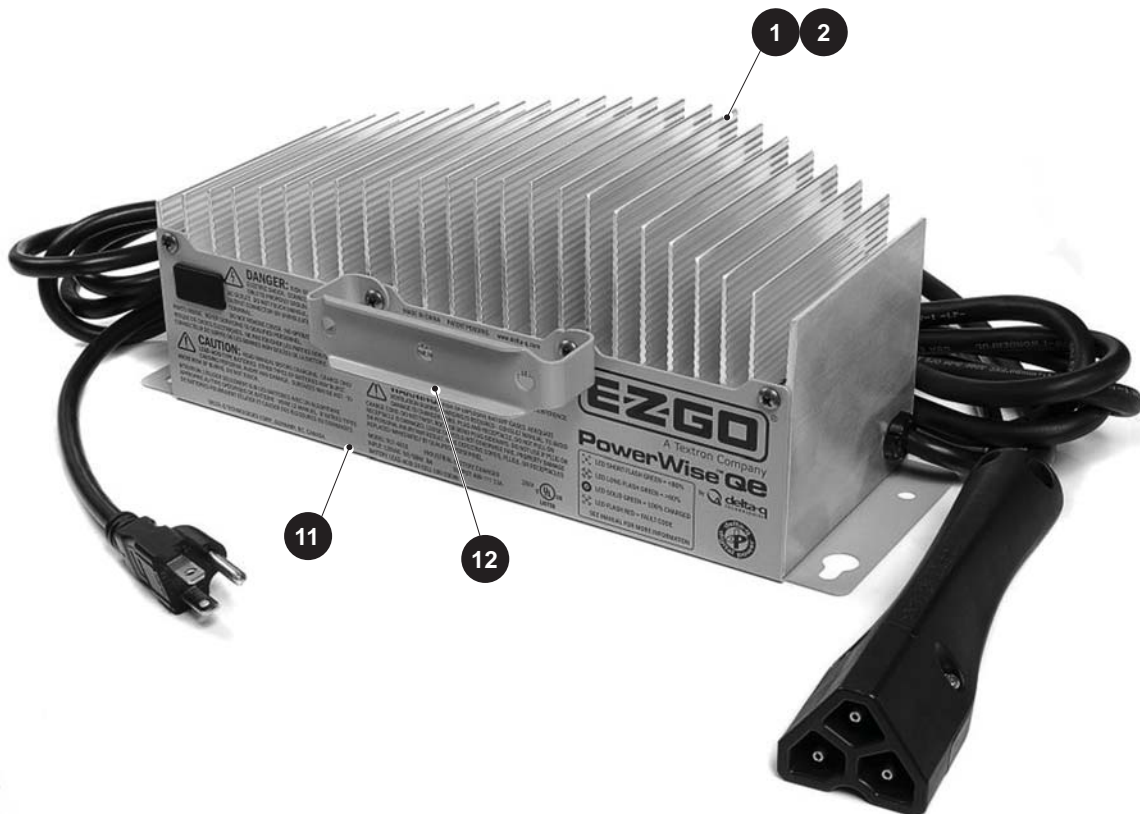
ITEM	PART NO.	1 2 3 4 5	DESCRIPTION	QTY.
1	<u>73333G09</u>		PEDAL BOX ASSEMBLY (INCLUDES ITEMS 3 - 19, 21, 23, 26 - 43).....	1
2	<u>73333G10</u>		PEDAL BOX ASSEMBLY, PDS MODEL ONLY (INCLUDES ITEMS 3 - 17, 20, 21, 24 - 43)	1
3	<u>25853G01</u>		PEDAL BOX AND COVER (SEAL AND BEARING).....	1
4	<u>25854G01</u>		INDUCTIVE THROTTLE SENSOR	1
5	<u>00983G01</u>		SELF THREADING NUT, 3/16"	2
6				
7	<u>25857G01</u>		PLUNGER SLEEVE.....	1
8	<u>28443G01</u>		PLUNGER.....	1
9	<u>28444G01</u>		PLUNGER CAM.....	1
10				
11	<u>73332G01</u>		ACCELERATOR ROD	1
12	<u>00532G4</u>		NUT, 5/16 - 24.....	1
13	<u>10385G4</u>		CLEVIS YOKE (ADJUSTABLE).....	1
14	<u>17677G2</u>		SPRING RETAINER, 3/8"	1
15	<u>73046G01</u>		COMPRESSION SPRING	1
16	<u>17979G1</u>		ACCELERATOR ROD BUSHING	1
17	<u>17677G1</u>		SPRING RETAINER, 1/2"	1
18				
19	<u>25861G01</u>		MICRO SWITCH.....	1
20	<u>25861G02</u>		MICRO SWITCH (PDS MODEL ONLY).....	1
21	<u>01050G01</u>		SCREW-PLASTITE, #4 - 20 X 5/8" LG.....	2
22				
23	<u>25879G03</u>		WIRING HARNESS (PEDAL BOX ASSEMBLY)	1
24	<u>25879G05</u>		WIRING HARNESS (PEDAL BOX ASSEMBLY) (PDS MODEL ONLY)	1
25				
26	<u>00684G6</u>		SCREW, #8 - 32 X 3/4" LG (STAINLESS STEEL).....	2
27				
28	<u>70116G02</u>		ACCELERATOR PEDAL BRACKET.....	1
29	<u>01051G01</u>		SCREW, #8 - 16 X 1/2" LG	4

Where applicable, THE USE OF NON UL PARTS WILL VOID ANY UL LISTING.
 When ordering parts, please specify the model and serial number of the product.
 * Indicates a component that is not available as an individual part.
 G** Indicates consult Customer Service Department for additional information.

ITEM	PART NO.	1	2	3	4	5	DESCRIPTION	QTY.
30								
31	<u>25799G03</u>						ACCELERATOR PEDAL ASSEMBLY (INCLUDES ITEMS 32 - 35).....	1
32	*						ACCELERATOR PEDAL	1
33	<u>27844G01</u>						ACCELERATOR PEDAL PAD KIT (INCLUDES ITEMS 34, 35).....	1
34	<u>27512G01</u>						ACCELERATOR PEDAL PAD	1
35	<u>15766G1</u>						OVAL RIVET 3/16" X 7/16" LG	6
36								
37	<u>17838G1</u>						NYLON BUSHING	3
38	<u>74432G01</u>						PEDAL PIVOT PIN	1
39	<u>12064G6</u>						PUSHNUT, 9/32" I.D.	1
40								
41	<u>10386G3</u>						CLEVIS PIN, 5/16" X 13/16" LG	1
42	<u>17255G1</u>						TEFLON WASHER, 5/16"	1
43	<u>10387G3</u>						COTTER PIN, 3/32" X 3/4" LG	1
44								
45	<u>00715G2</u>						BOLT, 5/16 - 18 X 4/5" LG	4
46	<u>70135G01</u>						PEDAL PIVOT COVER	1

BATTERY CHARGER

- 1 48V Battery Charger with 3 meter Cord includes items 11 & 12
- 2 48V Battery Charger with 5.5 meter Cord includes items 11 & 12



BATTERY CHARGER

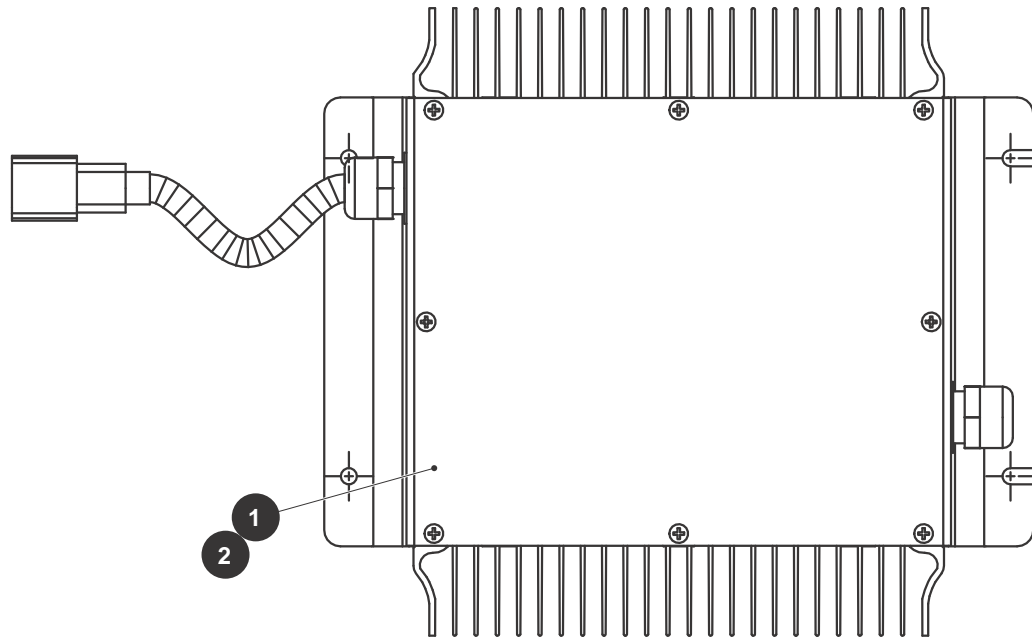
When ordering parts, please specify the model and serial number of the product.

* Indicates a component that is not available as an individual part.

*** Indicates consult Customer Service Department for additional information.

ITEM	PART NO.	1 2 3 4 5	DESCRIPTION	QTY.
1	<u>622418</u>		48V BATTERY CHARGER , 3 meter CORD (INCLUDES ITEMS 11 & 12).....	1
2	<u>622417</u>		48V BATTERY CHARGER, 5.5 meter CORD (INCLUDES ITEMS 11 & 12)...	1
3				
4				
5				
6				
7				
8				
9				
10				
11	611220		48V CHARGER COVER KIT (INCLUDES ITEM 12).....	1
12	<u>611216</u>		CHARGER HANDLE.....	1
13				

BATTERY CHARGER



BATTERY CHARGER

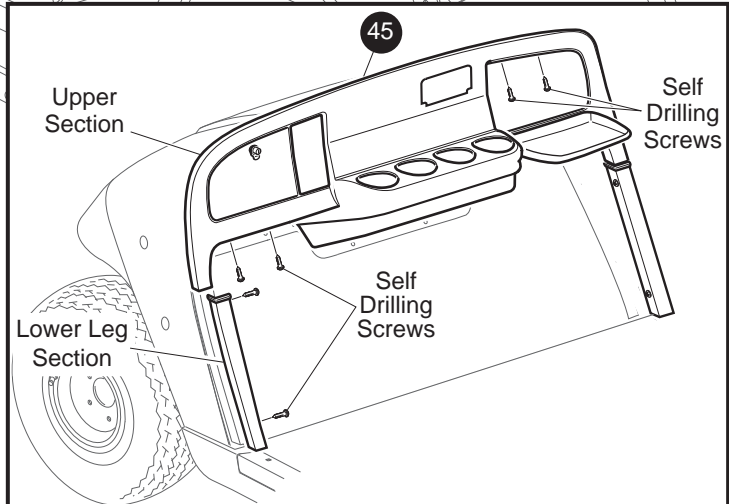
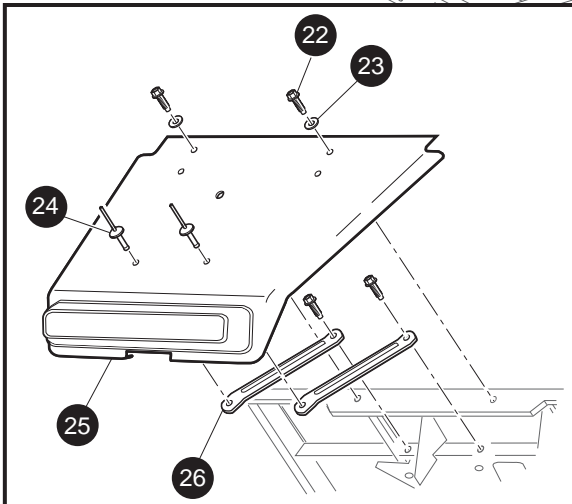
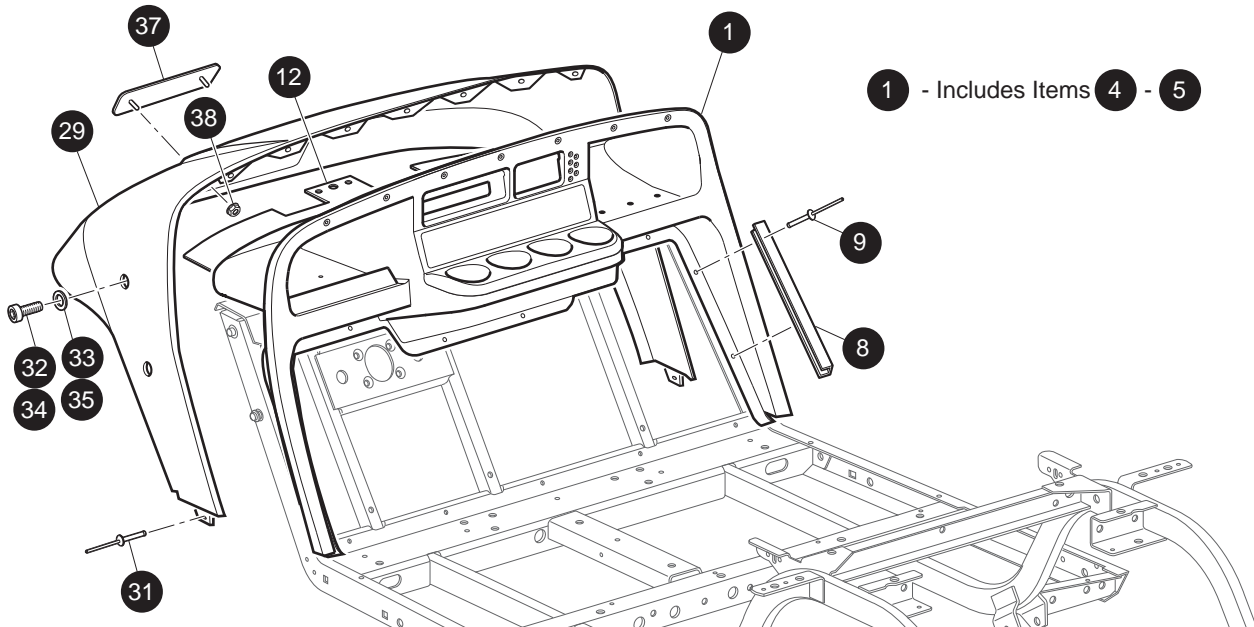
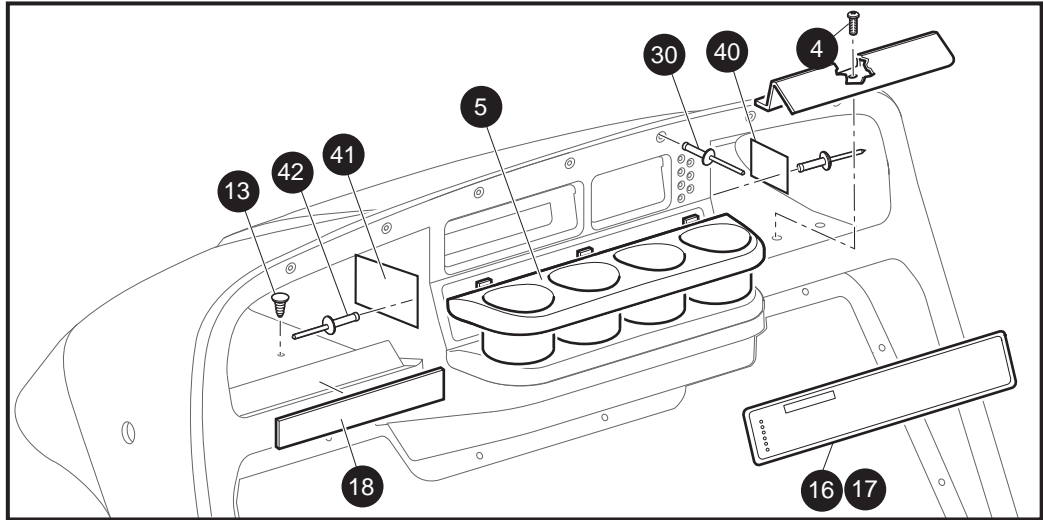
When ordering parts, please specify the model and serial number of the product.

* Indicates a component that is not available as an individual part.

*** Indicates consult Customer Service Department for additional information.

ITEM	PART NO.	1 2 3 4 5	DESCRIPTION	QTY.
1	<u>622419</u>		WORLD CHARGER, 48V, 3M CORD	1
2	<u>622667</u>		WORLD CHARGER, 48V, 5.5M CORD	1
3	<u>605834</u>		NYLON CLAMP 36" (NOT SHOWN IN ILLUSTRATION)	2

BODY



Where applicable, THE USE OF NON UL PARTS WILL VOID ANY UL LISTING.
 When ordering parts, please specify the model and serial number of the product.
 * Indicates a component that is not available as an individual part.
 G** Indicates consult Customer Service Department for additional information.

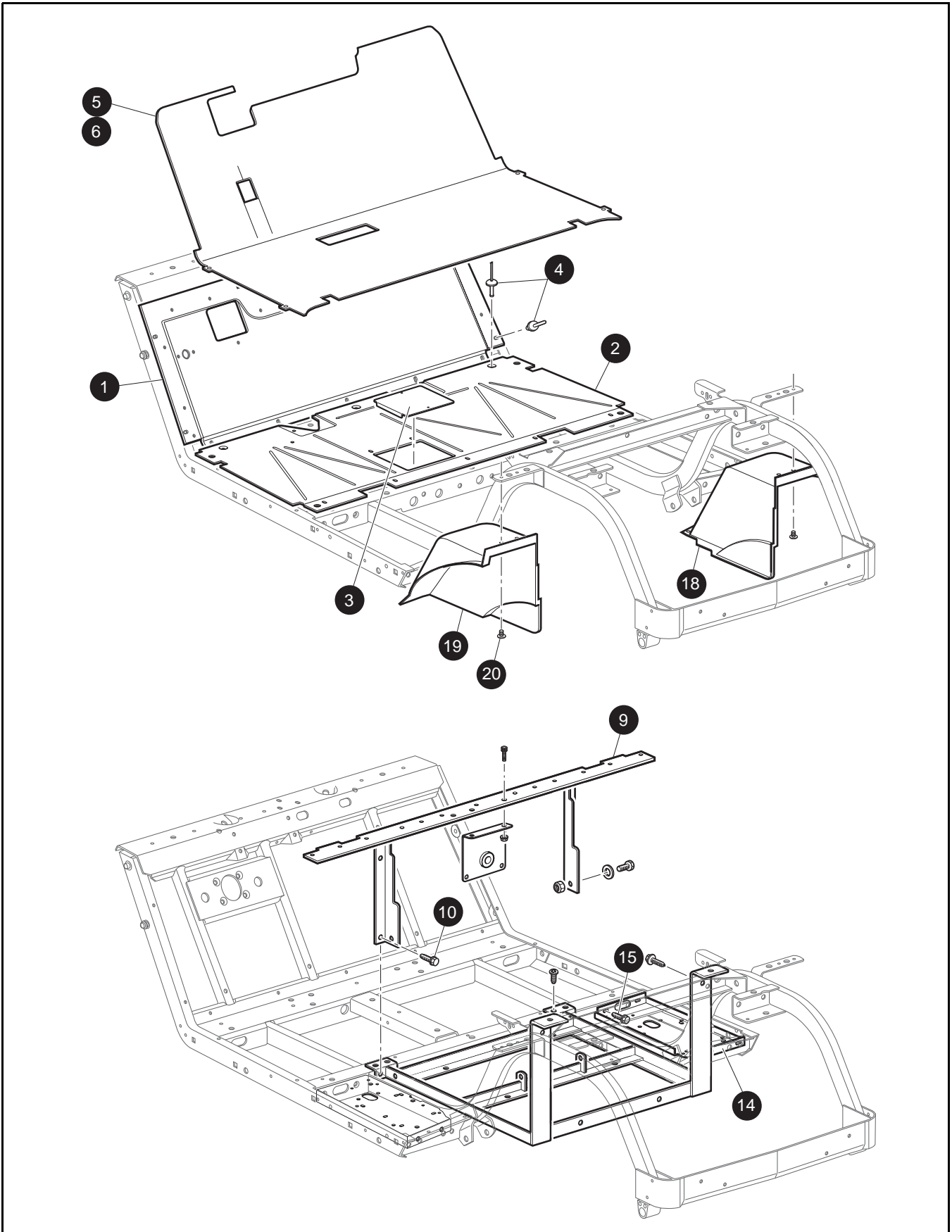
ITEM	PART NO.	1 2 3 4 5	DESCRIPTION	QTY.
1	<u>71151G01</u>		INSTRUMENT PANEL ASSEMBLY (INCLUDES ITEMS 4 - 5)	1
2				
3				
4	<u>00614G5</u>		SCREW, #8 - 18 X 5/8" LG	6
5	<u>71158G01</u>		INSTRUMENT PANEL INSERT (4 CUP HOLDER).....	1
6				
7				
8	<u>71115G01</u>		VINYL TRIM	2
9	<u>71055G01</u>		RIVET, 3/16" X 1" LG (ALUMINUM).....	10
10				
11				
12	<u>71413G01</u>		SPLASH PANEL.....	1
13	<u>16816G2</u>		RATCHET FASTENER, 1/4" X 3/4" LG	5
14				
15				
16	<u>608465</u>		LABEL (SAFETY).....	1
17				
18	<u>74443G01</u>		LABEL (ANTI-ROLLBACK)	1
19				
20				
21				
22	<u>01038G01</u>		BOLT, 1/4" - 20 X 11/16" LG	4
23	<u>16469G1</u>		FLAT WASHER, 1/4"	2
24	<u>01057G01</u>		RIVET, 1/4" X 1" LG	2
25	<u>27166G04</u>		FRONT SHIELD	1
26	<u>70725G02</u>		FRONT SHIELD BRACE.....	2
27				
28				
29	71051G**		COWL (See COLOR CODES in HOW TO USE section).....	1
30	<u>71055G01</u>		RIVET, 3/16" X 1" LG (ALUMINUM).....	9

BODY

Where applicable, THE USE OF NON UL PARTS WILL VOID ANY UL LISTING.
 When ordering parts, please specify the model and serial number of the product.
 * Indicates a component that is not available as an individual part.
 G** Indicates consult Customer Service Department for additional information.

ITEM	PART NO.	1 2 3 4 5	DESCRIPTION	QTY.
31	<u>10570G11</u>		RIVET, 3/16" X 3/4" LG (STAINLESS STEEL)	2
32	<u>71056G01</u>		BOLT, 5/16 - 18 X 5/8" LG	4
33	<u>00570G2</u>		FLAT WASHER, 5/16"	4
34	00438G6		BOLT, 5/16" - 18 X 3/4" LG (WITH TOP).....	2
35	<u>00571G2</u>		FLAT WASHER, 5/16"	2
36				
37	<u>71037G02</u>		E-Z-GO NAMEPLATE (GOLD).....	1
38	<u>71597G01</u>		NUT, SELF-THREADING, 5MM STUD x 10MM HEX	2
39				
40				
41				
42				
43				
44				
45	74239G01		INSTRUMENT PANEL WOODGRAIN APPLIQUE KIT	1

BODY



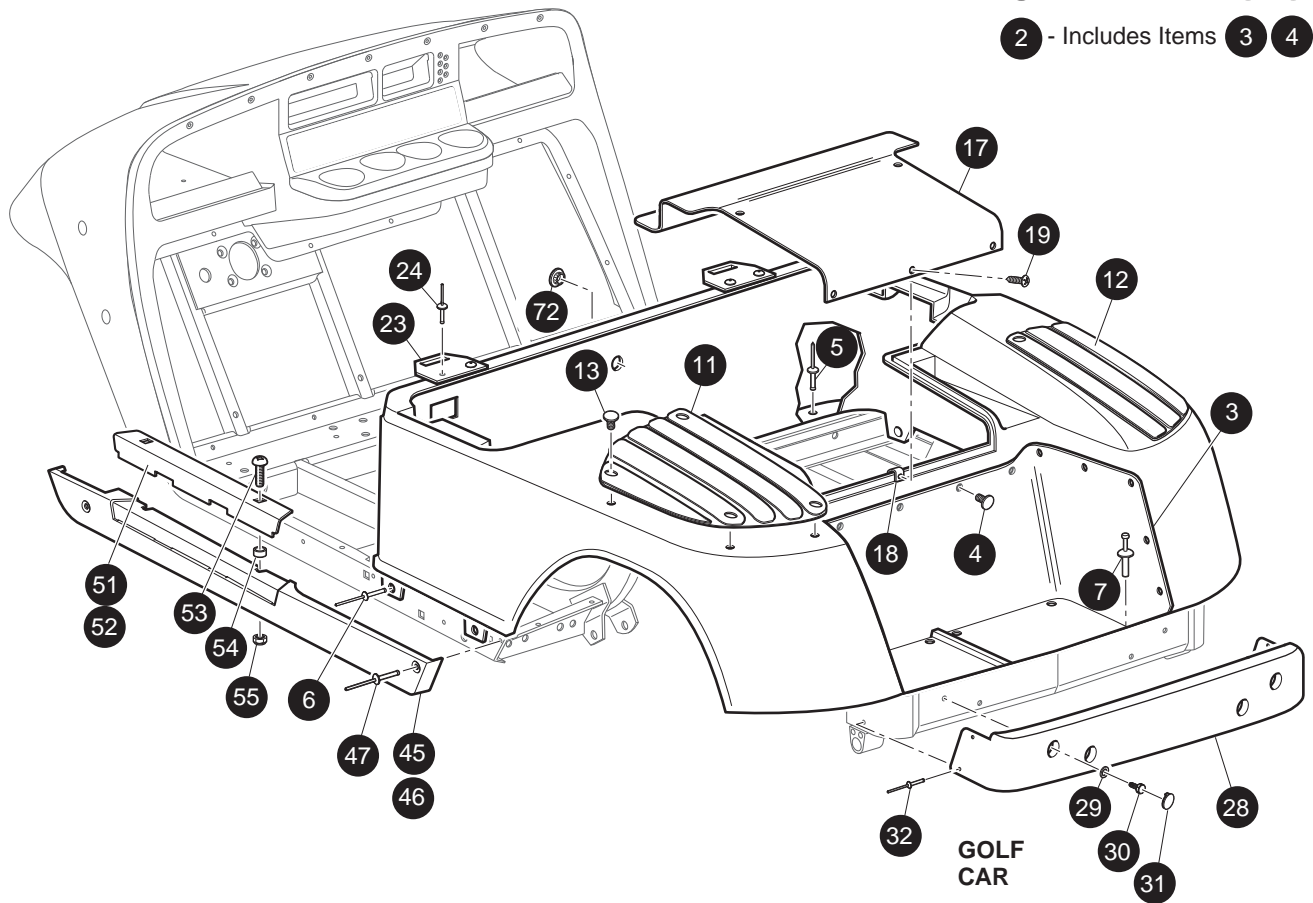
Where applicable, THE USE OF NON UL PARTS WILL VOID ANY UL LISTING.
 When ordering parts, please specify the model and serial number of the product.
 * Indicates a component that is not available as an individual part.
 G** Indicates consult Customer Service Department for additional information.

ITEM	PART NO.	1 2 3 4 5	DESCRIPTION	QTY.
1	70662G01		UPPER FLOORPAN.....	1
2	<u>70451G01</u>		LOWER FLOORPAN.....	1
3	<u>70452G01</u>		ACCESS COVER.....	1
4	<u>14601G11</u>		RIVET, 3/16" X 9/16" LG (ALUMINUM).....	16
5	<u>70995G01</u>		FLOORMAT.....	1
6	<u>70995G02</u>		FLOORMAT WITH HORN HOLE.....	1
7				
8				
9	<u>70440G04</u>		SEAT FRAME.....	1
10	<u>00715G2</u>		BOLT, 5/16" - 18 X 4/5" LG.....	2
11				
12				
13				
14	<u>70244G03</u>		SPLASH PANEL.....	1
15	<u>00715G2</u>		BOLT, 5/16" - 18 X 4/5" LG.....	4
16				
17				
18	<u>71812G01</u>		FENDER LINER (PASSENGER SIDE).....	1
19	<u>71812G02</u>		FENDER LINER (DRIVER SIDE).....	1
20	<u>16816G2</u>		RATCHET FASTENER, 1/4" X 3/4" LG.....	8

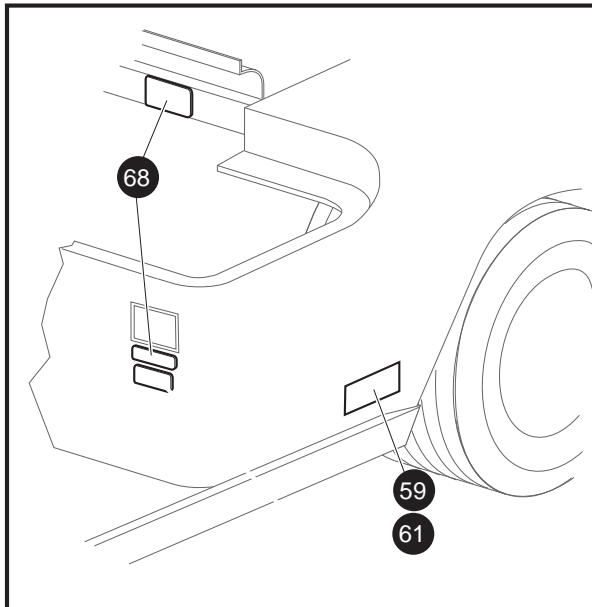
BODY

1 - Includes Items 3 4

2 - Includes Items 3 4



LABELS



Where applicable, THE USE OF NON UL PARTS WILL VOID ANY UL LISTING.
 When ordering parts, please specify the model and serial number of the product.
 * Indicates a component that is not available as an individual part.
 G** Indicates consult Customer Service Department for additional information.

ITEM	PART NO.	1 2 3 4 5	DESCRIPTION	QTY.
1	71912G4**		REARBODY (WITHOUT TAILLIGHTS) (INCLUDES ITEMS 3, 4) (See COLOR CODES in HOW TO USE section)	1
2	71334G0**		REAR BODY (WITH TAILLIGHTS) (INCLUDES ITEMS 3, 4) (See COLOR CODES in HOW TO USE section)	1
3	71318G01		BAGWELL LINER	1
4	<u>16816G1</u>		RATCHET FASTENER, 1/4" X 9/16" LG	26
5	<u>10570G10</u>		RIVET, 5/32" X 9/16" LG (STAINLESS STEEL)	6
6	10570G12		RIVET, 1/4" X 9/16" LG (ALUMINUM)	4
7	<u>18436G1</u>		RIVET, 1/4" X 3/4" LG	2
8				
9				
10				
11	<u>75126G01</u>		FENDER SCUFFGUARD (DRIVER SIDE)	1
12	<u>75126G02</u>		FENDER SCUFFGUARD (PASSENGER SIDE)	1
13	<u>16816G2</u>		RATCHET FASTENER, 1/4" X 3/4" LG	8
14				
15				
16				
17	<u>71320G01</u>		ACCESS PANEL	1
18	<u>71364G02</u>		'J' CLIP	1
19	<u>01107G01</u>		SCREW, #8 X 5/8" LG (STAINLESS STEEL)	5
20				
21				
22				
23	<u>71609G01</u>		SEAT HINGE PLATE	2
24	<u>10570G11</u>		RIVET, 3/16" X 3/4" LG (STAINLESS STEEL)	4
25				
26				
27				
28	<u>71578G01</u>		REAR BUMPER	1
29	<u>00571G2</u>		FLAT WASHER, 5/16"	4

BODY

Where applicable, THE USE OF NON UL PARTS WILL VOID ANY UL LISTING.
 When ordering parts, please specify the model and serial number of the product.
 * Indicates a component that is not available as an individual part.
 G** Indicates consult Customer Service Department for additional information.

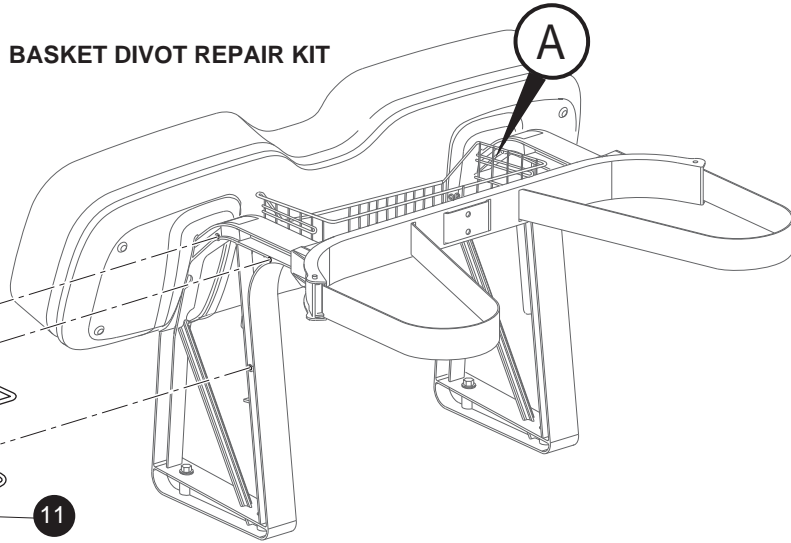
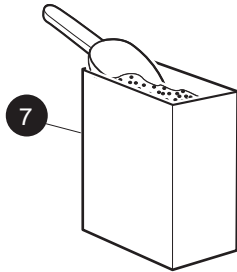
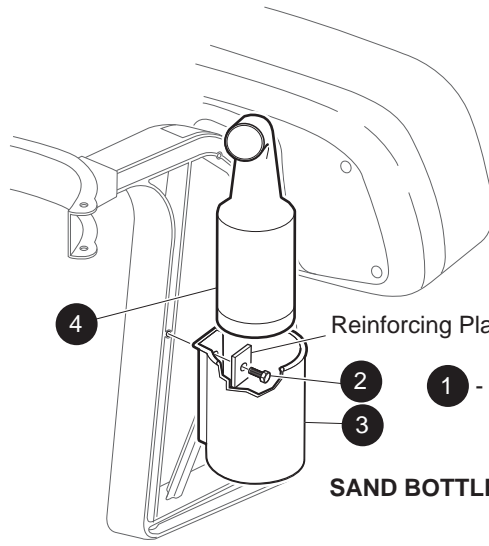
ITEM	PART NO.	1 2 3 4 5	DESCRIPTION	QTY.
30	<u>71102G01</u>		BOLT, 1/4" - 20 X 3/4" LG.....	4
31	<u>71514G01</u>		BUMPER PLUG	4
32	14601G17		RIVET, 3/16" X 9/16" LG (ALUMINUM).....	4
33				
34				
35				
36	71456G01		REAR BUMPER (SHUTTLE 2+2)	1
37	71398G01		BOLT, 1/4" - 20 X 1 1/4" LG.....	2
38	<u>71455G01</u>		BUMPER PLUG	4
39	<u>71102G01</u>		BOLT, 1/4" - 20 X 3/4" LG.....	2
40	<u>71554G01</u>		'J' TYPE NUT RETAINER.....	2
41	<u>71455G01</u>		BUMPER STAY	4
42				
43				
44				
45	<u>71501G01</u>		ROCKER PANEL (PASSENGER SIDE).....	1
46	<u>71502G01</u>		ROCKER PANEL (DRIVER SIDE)	1
47	<u>15058G6</u>		RIVET, 3/16" X 15/16" LG (ALUMINUM).....	4
48				
49				
50				
51	71507G01		SILL PLATE (PASSENGER SIDE).....	1
52	<u>71507G02</u>		SILL PLATE (DRIVER SIDE).....	1
53	<u>16705G1</u>		SCREW, 1/4" - 20 X 1" LG (STAINLESS STEEL).....	4
54	<u>23726G4</u>		SPACER, 5/16".....	4
55	<u>14390G4</u>		LOCK NUT, 1/4" - 20	4
56				
57				
58				
59	<u>613478</u>		LABEL (48V FLEET)	2

Where applicable, THE USE OF NON UL PARTS WILL VOID ANY UL LISTING.
 When ordering parts, please specify the model and serial number of the product.
 * Indicates a component that is not available as an individual part.
 G** Indicates consult Customer Service Department for additional information.

ITEM	PART NO.	1 2 3 4 5	DESCRIPTION	QTY.
60				
61	<u>605407</u>		LABEL (48V FREEDOM)	2
62				
63				
64				
65				
66				
67				
68	*		LABEL (SERIAL NUMBER)	1
69				
70				
71				
72	<u>74024G01</u>		SEAT WRAP MOUNTED NOISE SUPPRESSOR	1

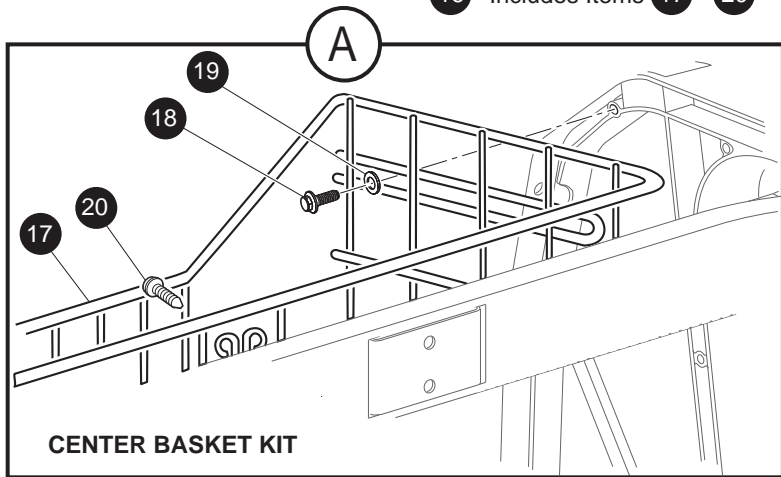
Where applicable, THE USE OF NON UL PARTS WILL VOID ANY UL LISTING.
 When ordering parts, please specify the model and serial number of the product.
 * Indicates a component that is not available as an individual part.
 G** Indicates consult Customer Service Department for additional information.

ITEM	PART NO.	1 2 3 4 5	DESCRIPTION	QTY.
1	<u>70361G01</u>		FOOTREST ASSEMBLY (INCLUDES ITEMS 2 - 5).....	1
2	<u>70633G01</u>		FOOTREST	1
3	<u>70362G01</u>		FLOOR MAT	1
4	<u>19853G1</u>		END CAP, 1"	2
5	<u>74074G01</u>		LABEL (WARNING)	1
6				
7				
8	<u>74126G01</u>		VERTICAL FRAME SUPPORT (PASSENGER SIDE)	1
9	<u>74126G02</u>		VERTICAL FRAME SUPPORT (DRIVER SIDE).....	1
10	<u>00427G6</u>		BOLT, 3/8" - 16 X 1 1/2" LG	2
11	<u>00560G1</u>		FLAT WASHER, 3/8"	10
12	<u>00769G2</u>		CARRIAGE BOLT, 3/8" - 16 X 1 1/4" LG	2
13	<u>11098G5</u>		LOCK NUT, 3/8" - 16	10
14	<u>01006G02</u>		BOLT, 3/8" - 16 X 1" LG	2
15				
16	<u>74149G01</u>		VALANCE PANEL	1
17	<u>16816G2</u>		RATCHET FASTENER, 1/4" X 3/4" LG	4
18				
19	<u>75268G01</u>		SUPPORT	1
20	<u>606882</u>		SELF THREADING SCREW, #12 - 24 X 3/4" LG	2
21	<u>19859G1</u>		END CAP, 3/4".....	2
22	<u>20271G2</u>		HOLE PLUG, 1/2"	2
23				
24				
25				
26	<u>75183G01</u>		TWO BAG ATTACHMENT KIT (INCLUDES ITEMS 27 - 30).....	1
27	<u>75188G01</u>		TWO BAG ATTACHMENT	1
28	<u>22238G2</u>		KNOB, 3/8" - 16 X 1 1/2" LG	1
29	<u>17255G1</u>		TEFLON WASHER, 5/16"	1
30	<u>75187G01</u>		SUPPORT BRACKET.....	1



10 - Includes Items 11 - 13

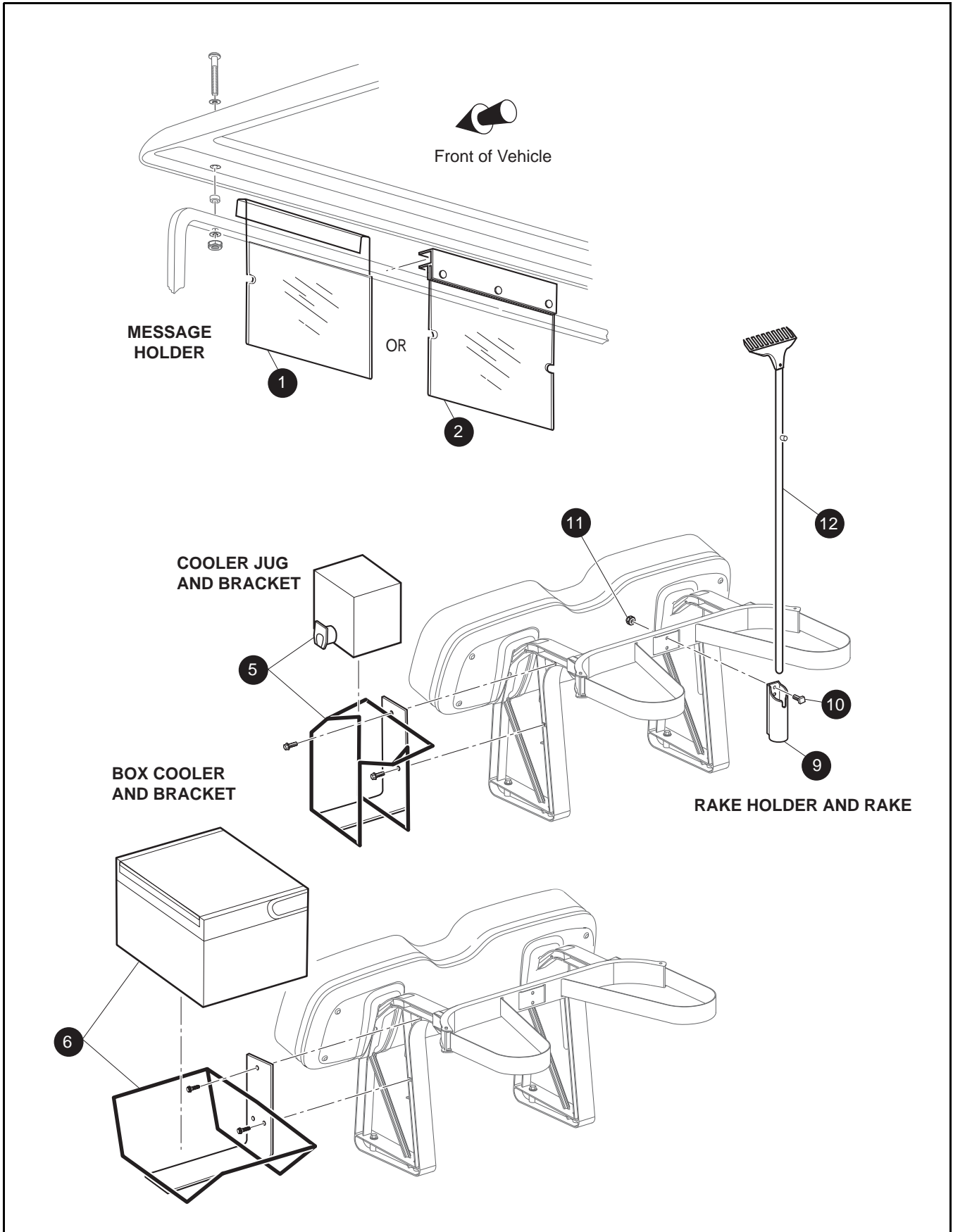
16 - Includes Items 17 - 20



Where applicable, THE USE OF NON UL PARTS WILL VOID ANY UL LISTING.
 When ordering parts, please specify the model and serial number of the product.
 * Indicates a component that is not available as an individual part.
 G** Indicates consult Customer Service Department for additional information.

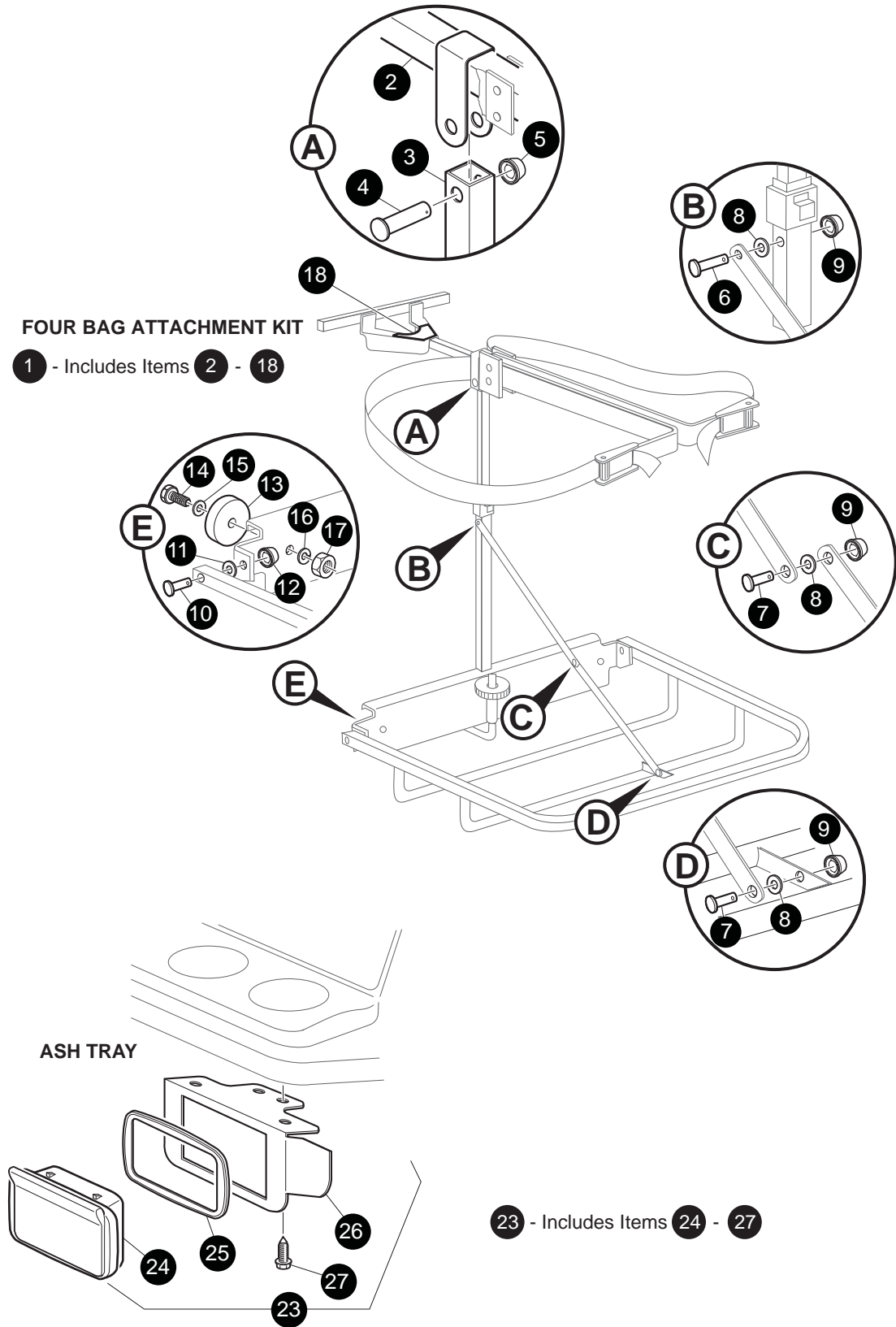
ITEM	PART NO.	1 2 3 4 5	DESCRIPTION	QTY.
1	<u>28661G01</u>		SAND BOTTLE DIVOT REPAIR KIT (INCLUDES ITEMS 2 - 4).....	1
2	<u>71102G01</u>		BOLT, 1/4" - 20 X 3/4" LG	1
3	<u>28660G01</u>		SAND BOTTLE HOLDER	1
4	<u>28659G01</u>		SAND BOTTLE	1
5				
6				
7	74849		BASKET DIVOT REPAIR KIT (INCLUDES SCOOP).....	1
8				
9				
10	<u>75007G02</u>		SIDE BASKET KIT (INCLUDES ITEMS 11 - 13).....	1
11	<u>75460G01</u>		SIDE BASKET	1
12	<u>71102G01</u>		BOLT, 1/4" - 20 X 3/4" LG	3
13	<u>00793G2</u>		FLAT WASHER, 1/4" (STAINLESS STEEL)	3
14				
15				
16	<u>75003G02</u>		CENTER BASKET KIT (INCLUDES ITEMS 17 - 20).....	1
17	<u>75461G01</u>		CENTER BASKET	1
18	<u>71102G01</u>		BOLT, 1/4" - 20 X 3/4" LG	2
19	<u>00793G2</u>		FLAT WASHER, 1/4" (STAINLESS STEEL)	2
20	<u>01105G01</u>		SCREW, #10 X 5/8" LG (STAINLESS STEEL).....	2

BODY



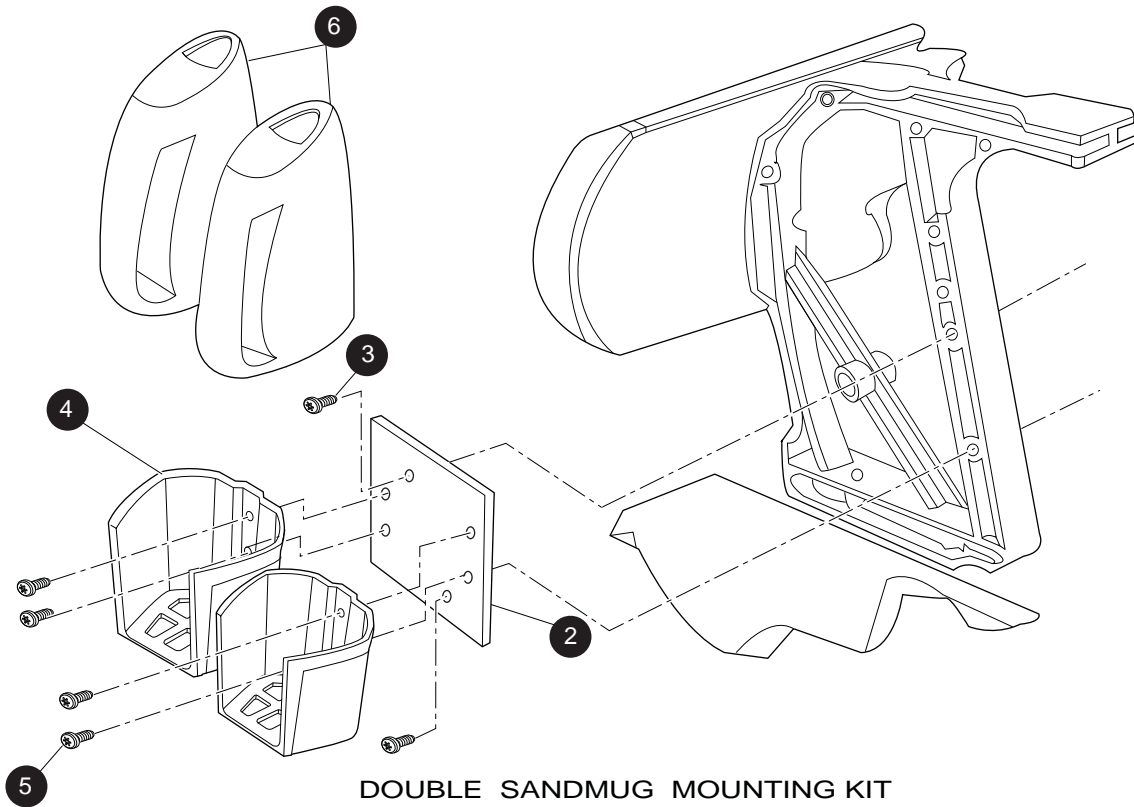
Where applicable, THE USE OF NON UL PARTS WILL VOID ANY UL LISTING.
 When ordering parts, please specify the model and serial number of the product.
 * Indicates a component that is not available as an individual part.
 G** Indicates consult Customer Service Department for additional information.

ITEM	PART NO.	1 2 3 4 5	DESCRIPTION	QTY.
1	75509G01		MESSAGE HOLDER (ONE PIECE).....	1
2	75496G01		MESSAGE HOLDER.....	1
3				
4				
5	<u>75495G01</u>		COOLER JUG AND BRACKET KIT	1
6	<u>71048G01</u>		BOX COOLER AND BRACKET KIT	1
7				
8				
9	<u>25885G01</u>		RAKE HOLDER.....	1
10	<u>00989G06</u>		SQUARE HEAD BOLT, 1/4" - 20 X 3/4" LG.....	2
11	<u>11027G2</u>		LOCK NUT, 1/4" - 20	2
12	<u>14735G1</u>		RAKE.....	1

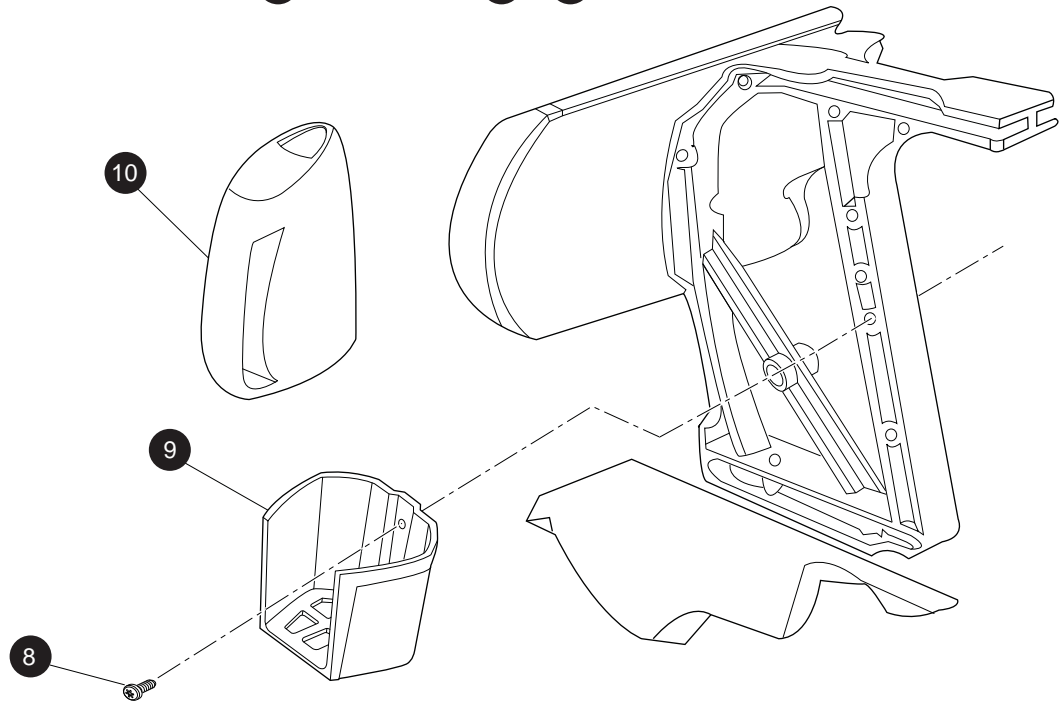


Where applicable, THE USE OF NON UL PARTS WILL VOID ANY UL LISTING.
 When ordering parts, please specify the model and serial number of the product.
 * Indicates a component that is not available as an individual part.
 G** Indicates consult Customer Service Department for additional information.

ITEM	PART NO.	1 2 3 4 5	DESCRIPTION	QTY.
1	<u>75335G01</u>		FOUR BAG ATTACHMENT KIT (INCLUDES ITEMS 2 - 18)	1
2	*		TOP ASSEMBLY	1
3	*		BOTTOM ASSEMBLY	1
4	<u>17651G2</u>		CLEVIS PIN, 5/16" X 1 1/8" LG	1
5	<u>28129G01</u>		PUSH NUT, 5/16".....	1
6	<u>17651G2</u>		CLEVIS PIN, 5/16" X 1 1/8" LG	1
7	<u>17651G3</u>		CLEVIS PIN, 5/16" X 1/2" LG	2
8	00559G8		FLAT WASHER, 5/16"	3
9	<u>28129G01</u>		PUSH NUT, 5/16".....	3
10	*		CLEVIS PIN 3/8" X 1 1/4" LG	2
11	<u>00560G1</u>		FLAT WASHER, 3/8"	2
12	*		PUSH NUT, 3/8".....	2
13	<u>13728G1</u>		RUBBER BUMPER.....	2
14	00150G6		SCREW, #10 - 24 X 3/4" LG	2
15	<u>00559G5</u>		FLAT WASHER, #10.....	2
16	<u>00565G5</u>		LOCK WASHER, #10	2
17	<u>00526G3</u>		NUT, #10 - 24.....	2
18	*		LABEL (WARNING).....	1
19				
20				
21				
22				
23	75109G02		ASH TRAY KIT (INCLUDES ITEMS 24 - 27)	1
24	27731G01		ASH TRAY	1
25	27736G01		GASKET	1
26	<u>75108G02</u>		BRACKET	1
27	<u>00100G4</u>		SCREW, #10 - 16 X 1/2" LG	4



1 - Includes Items 2 - 6

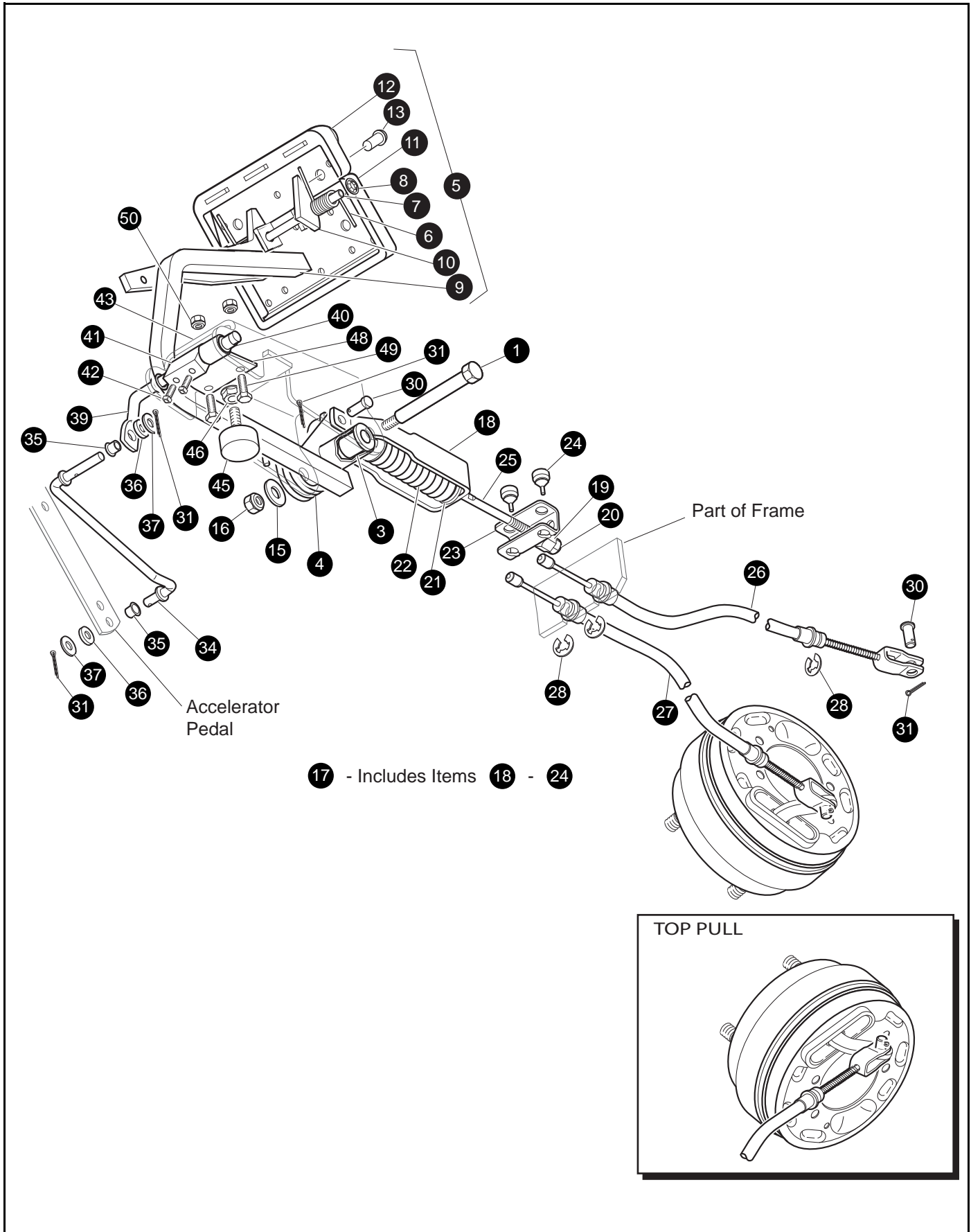


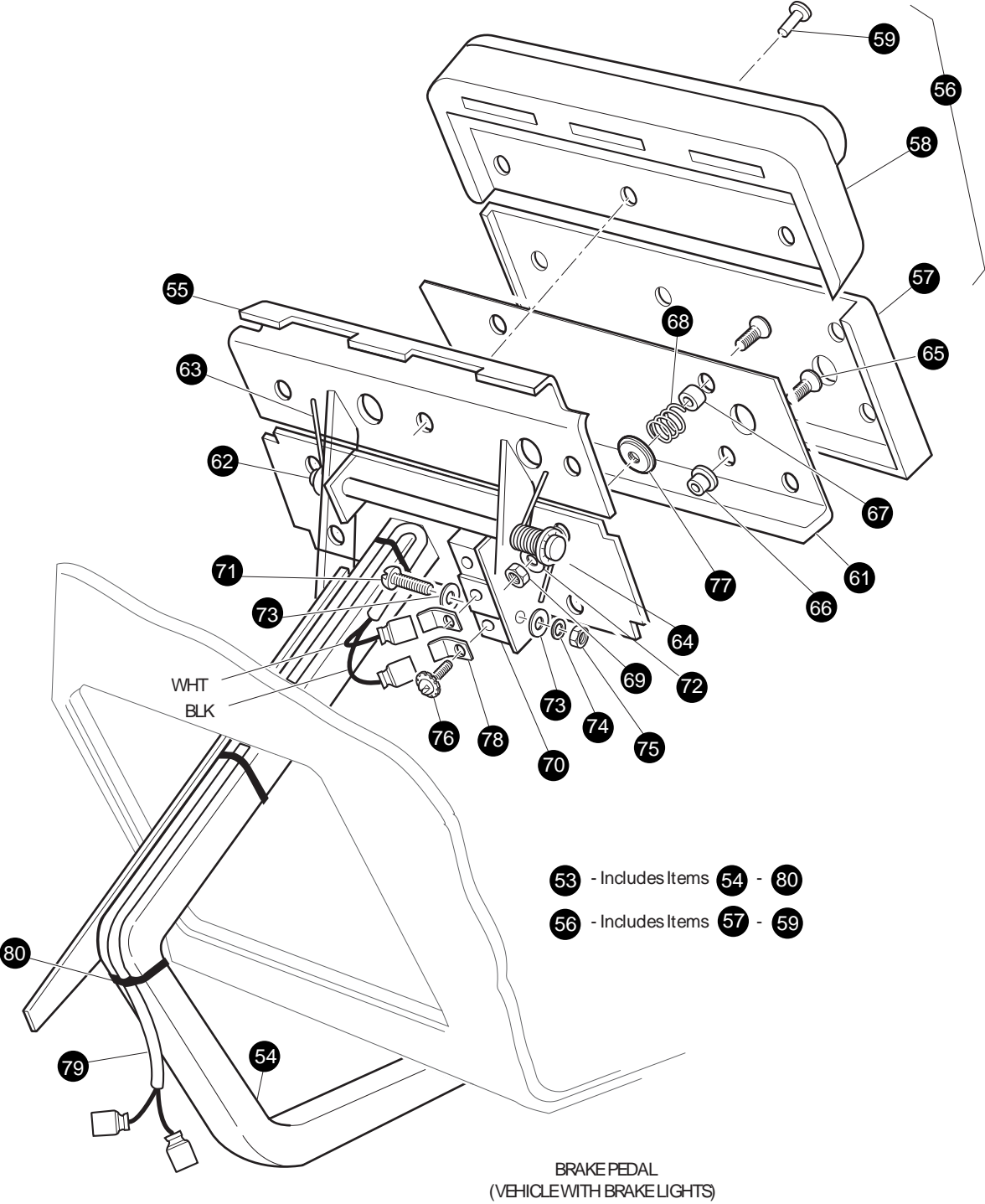
7 - Includes Items 8 - 10

Where applicable, THE USE OF NON UL PARTS WILL VOID ANY UL LISTING.
 When ordering parts, please specify the model and serial number of the product.
 * Indicates a component that is not available as an individual part.
 G** Indicates consult Customer Service Department for additional information.

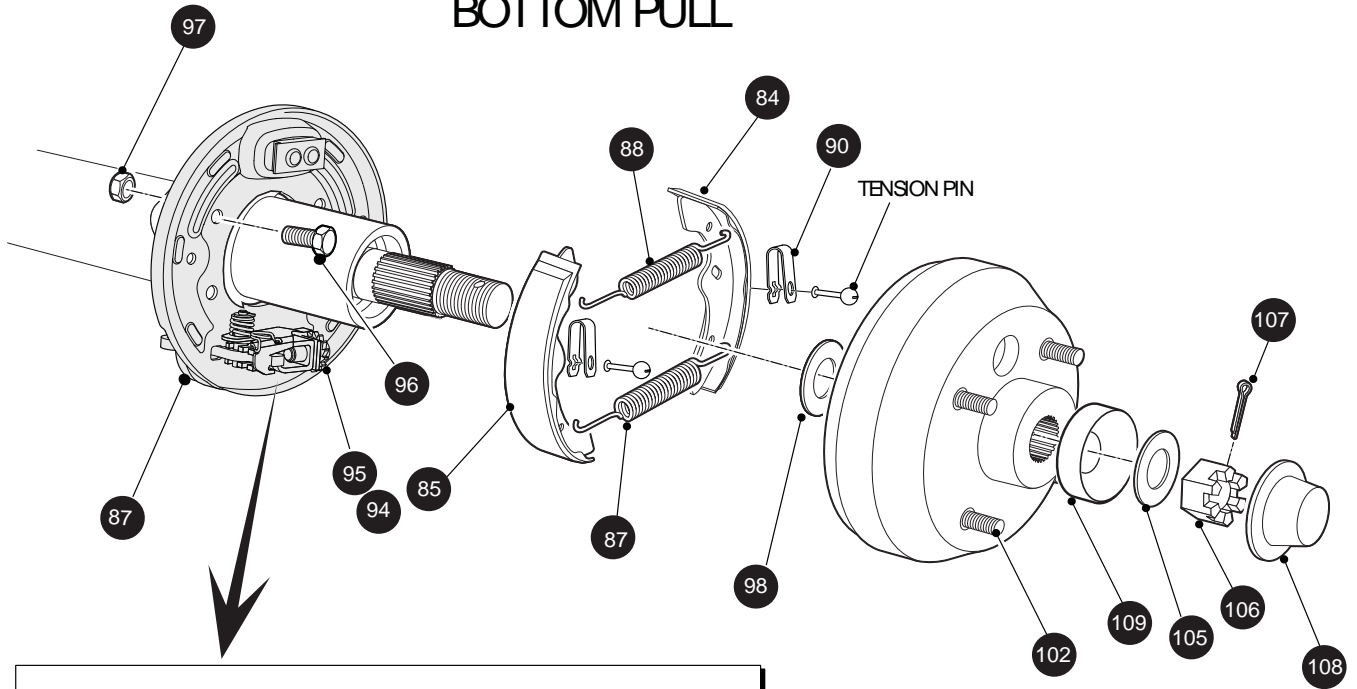
ITEM	PART NO.	1 2 3 4 5	DESCRIPTION	QTY.
1	<u>606986</u>		DOUBLE SANDMUG MOUNTING KIT (INCLUDES ITEMS 2 - 6)	1
2	<u>606988</u>		MOUNTING PLATE, SAND MUG - HOLDER.....	1
3	<u>71102G01</u>		BOLT 1/4" - 20 X 3/4"	2
4	<u>606950</u>		SAND MUG HOLDER.....	2
5	*		BOLT 1/4" - 20 X 1/2"	4
6	<u>606949</u>		SAND MUG.....	2
7	<u>606951</u>		SINGLE SANDMUG MOUNTING KIT (INCLUDES ITEMS 8 - 10).....	1
8	<u>71102G01</u>		BOLT 1/4" - 20 X 3/4"	1
9	<u>606950</u>		SAND MUG HOLDER.....	1
10	<u>606949</u>		SAND MUG.....	1

BRAKES - MECHANICAL

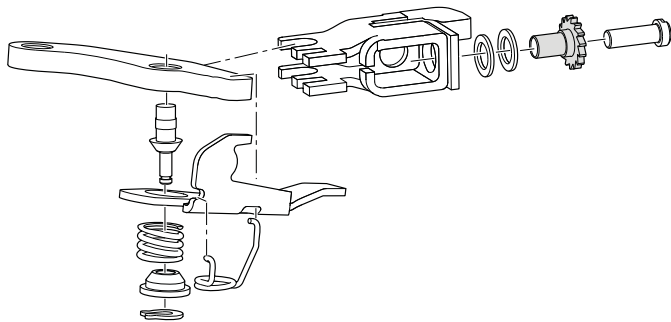




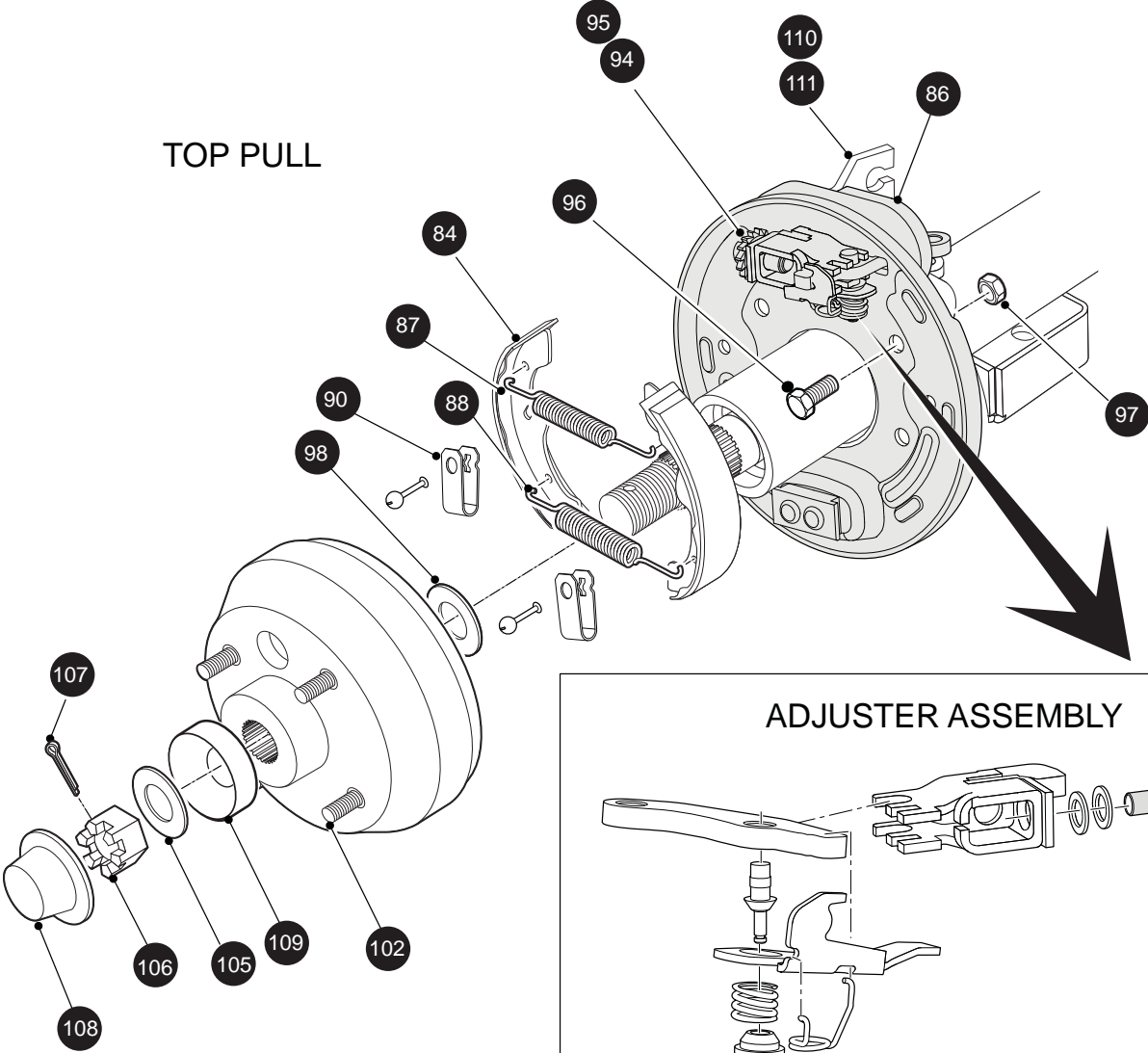
BOTTOM PULL



ADJUSTER ASSEMBLY



TOP PULL



BRAKES - MECHANICAL

When ordering parts, please specify the model and serial number of the product.

* Indicates a component that is not available as an individual part.

*** Indicates consult Customer Service Department for additional information.

ITEM	PART NO.	1 2 3 4 5	DESCRIPTION	QTY.
1	<u>70582G01</u>		SHOULDER BOLT, 3/8 - 16 X 4" LG (STAINLESS STEEL).....	1
2				
3	<u>70581G01</u>		FLANGED BUSHING	2
4	<u>70676G01</u>		TORSION SPRING	1
5	<u>70612G02</u>		BRAKE PEDAL ASSEMBLY (WITHOUT BRAKE LIGHTS) (INCLUDES ITEMS 6 - 13)	1
6	<u>70681G01</u>		TORSION SPRING	2
7	<u>70682G01</u>		PIVOT PIN	1
8	<u>01071G01</u>		PUSHNUT, 5/16"	1
9	<u>70259G02</u>		BRAKE PEDAL	1
10	<u>70611G02</u>		PARK BRAKE PEDAL.....	1
11	<u>70257G01</u>		SERVICE BRAKE PAD	1
12	<u>70256G01</u>		PARK BRAKE PEDAL PAD	1
13	<u>16409G1</u>		OVAL RIVET, 3/16" X 3/8" LG	9
14	<u>12416G2</u>		NYLON WEDGE LOCK CLAMP (NOT ILLUSTRATED)	AR
15	<u>00643G1</u>		WASHER, 3/8"	1
16	<u>11098G5</u>		LOCK NUT, 3/8 - 16.....	1
17	<u>612558</u>		COMPENSATOR ASSEMBLY (INCLUDES ITEMS 18 - 24).....	1
18	<u>27330G01</u>		BRAKE YOKE	1
19	<u>00963G01</u>		SPHERICAL NUT, 5/16 - 24.....	1
20	<u>11098G9</u>		LOCK NUT, 5/16 - 24	1
21	<u>15121G1</u>		WASHER 5/16	2
22	<u>23463G1</u>		COMPRESSION SPRING	1
23	<u>28082G01</u>		EQUALIZER BRACKET	1
24	<u>612557</u>		BRAKE COMPENSATOR LINK ROD	1
25	<u>28083G01</u>		BRAKE COMPENSATOR BUMPER	2
26	<u>624690</u>		BRAKE CABLE DRIVER SIDE.....	1
27	<u>624691</u>		BRAKE CABLE PASSENGER SIDE	1
28	<u>01111G01</u>		RETAINING RING, 13/32" (STAINLESS STEEL)	4
29				
30	<u>10386G3</u>		CLEVIS PIN, 5/16" X 13/16" LG	3
31	<u>10387G3</u>		COTTER PIN, 3/32" X 3/4" LG	5

BRAKES - MECHANICAL

When ordering parts, please specify the model and serial number of the product.

* Indicates a component that is not available as an individual part.

*** Indicates consult Customer Service Department for additional information.

ITEM	PART NO.	1 2 3 4 5	DESCRIPTION	QTY.
32	<u>01038G01</u>		SWAGEFORM SCREW, 1/4 -20 (NOT ILLUSTRATED).....	1
33				
34	<u>70601G01</u>		KICK-OFF LINK	1
35	<u>17838G1</u>		NYLON BUSHING	2
36	<u>20835G1</u>		TEFLON WASHER, 3/8"	2
37	<u>00559G8</u>		WASHER, 5/16"	2
38				
39	<u>70098G01</u>		KICK-OFF CAM PIVOT.....	1
40	<u>10097G6</u>		FLANGED BEARING	2
41	<u>70587G01</u>		KICK-OFF CAM	1
42	<u>71215G01</u>		SETSCREW, 1/4 - 20 X 1/2" LG	2
43	<u>14134G4</u>		SPACER.....	1
44				
45	<u>70113G01</u>		ADJUSTABLE BUMPER.....	1
46	<u>11027G1</u>		LOCK NUT, 5/16 - 18	1
47				
48	<u>70080G02</u>		CATCH BRACKET	1
49	<u>00414G6</u>		BOLT, 1/4 - 20 X 3/4" LG.....	2
50	<u>14390G4</u>		LOCK NUT, 1/4 - 20 (STAINLESS STEEL).....	2
51				
52				
53	<u>70690G02</u>		BRAKE PEDAL ASSEMBLY (WITH BRAKE LIGHTS) (INCLUDES ITEMS 54 - 80)	1
54	*		BRAKE PEDAL.....	1
55	<u>70611G02</u>		PARK BRAKE PEDAL	1
56	<u>70274G01</u>		BRAKE/PARK BRAKE PEDAL PAD KIT (INCLUDES ITEMS 57 - 59)	1
57	*		SERVICE BRAKE PAD	1
58	*		PARK BRAKE PAD	1
59	<u>16409G1</u>		OVAL RIVET, 3/16" x 7/16" LG	9
60				
61	<u>70258G03</u>		BRAKE PEDAL PLATE	1

BRAKES - MECHANICAL

When ordering parts, please specify the model and serial number of the product.

* Indicates a component that is not available as an individual part.

*** Indicates consult Customer Service Department for additional information.

ITEM	PART NO.	1	2	3	4	5	DESCRIPTION	QTY.
62	<u>70682G01</u>						PIVOT PIN	1
63	<u>70681G01</u>						TORSION SPRING	2
64	<u>01071G01</u>						PUSHNUT, 5/16"	1
65	<u>00737G8</u>						SCREW, #10 - 24 X 7/8" LG	4
66	<u>00739G1</u>						RUBBER NUT, #10 - 24	2
67	<u>74535G01</u>						BRAKE PEDAL STANDOFF	2
68	<u>27137G01</u>						CONICAL SPRING	2
69	<u>14390G10</u>						LOCK NUT, #10 - 24	2
70	<u>10606G8</u>						MICRO SWITCH	1
71	<u>00645-G2</u>						SCREW, #6 - 32 X 1 1/4" LG	2
72	<u>00559G5</u>						WASHER, #10	2
73	<u>00559G3</u>						WASHER, #6	4
74	<u>00565G3</u>						LOCK WASHER, #6	2
75	<u>00525G5</u>						NUT, #6 - 32	2
76	<u>13514G1</u>						SCREW AND LOCK WASHER, #6	2
77	<u>00642-G8</u>						WASHER - 5/16"	2
78	<u>14628G1</u>						FASTON TAB	2
79	<u>24605G1</u>						WIRE HARNESS (BRAKE LIGHT)	1
80	<u>17618G1</u>						WIRE TIE	4
81								
82	<u>612189</u>						BRAKE ASSEMBLY (DRIVER SIDE) (INCLUDES ITEMS 84 - 88, 90, 95)	1
83	<u>612211</u>						BRAKE ASSEMBLY (PASSENGER SIDE) (INCLUDES ITEMS 84 - 88 & 90,94)	1
84	<u>612412</u>						BRAKE SHOE	2
85	<u>612411</u>						BRAKE SHOE	2
86	<u>612413</u>						DUST COVER	1
87	<u>612415</u>						SPRING	1
88	<u>612414</u>						SPRING	1
89								
90	<u>612416</u>						SHOE CLAMP	2
91								
92								

BRAKES - MECHANICAL

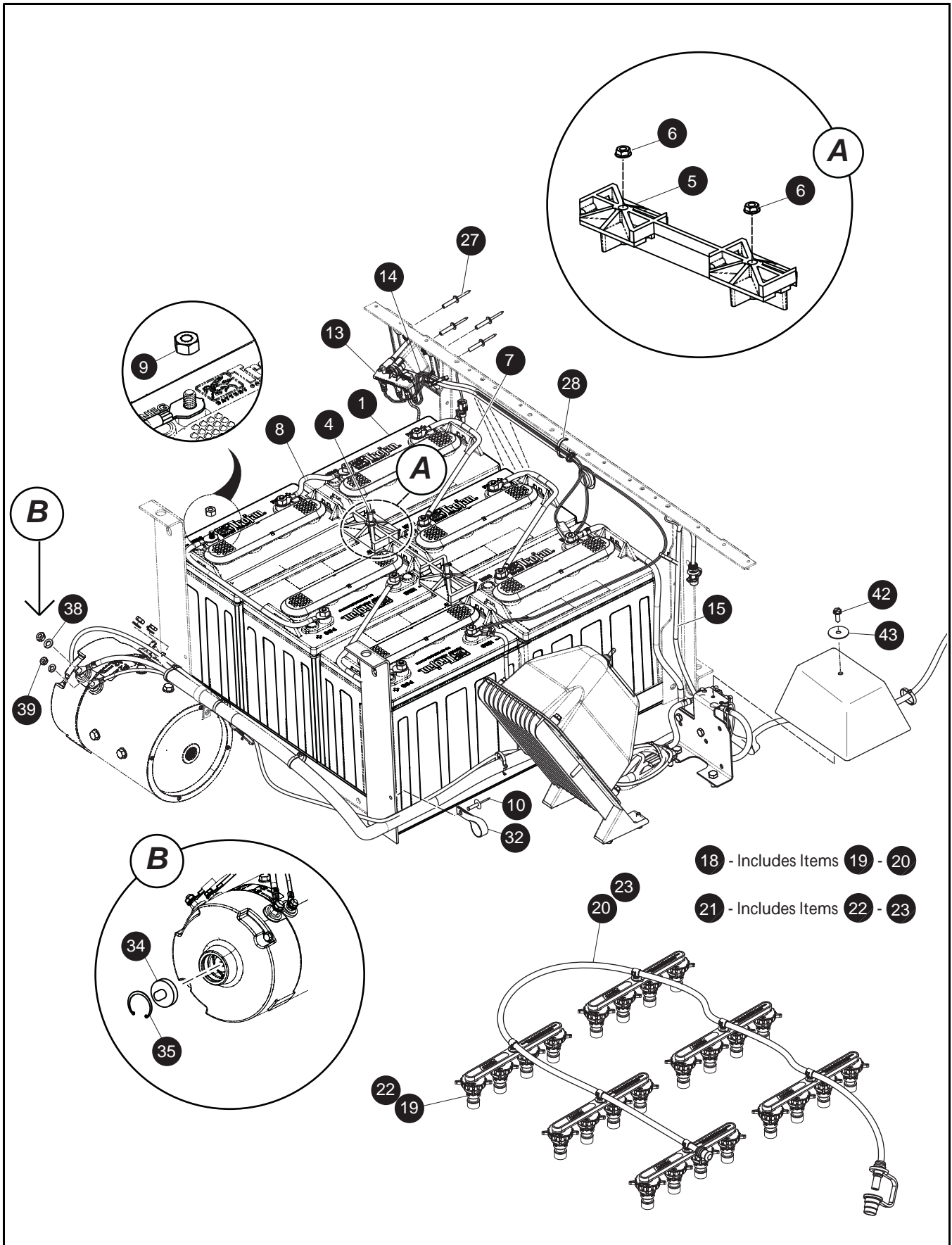
When ordering parts, please specify the model and serial number of the product.

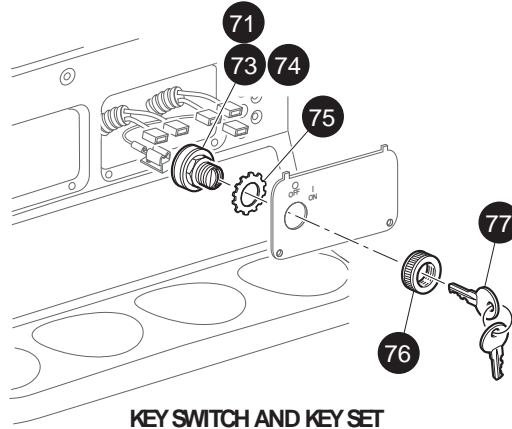
* Indicates a component that is not available as an individual part.

*** Indicates consult Customer Service Department for additional information.

ITEM	PART NO.	1 2 3 4 5	DESCRIPTION	QTY.
93				
94	<u>612418</u>		ADJUSTER.....	1
95	<u>612417</u>		ADJUSTER.....	1
96	<u>17083G2</u>		BOLT, 5/16 - 24 X 1" LG.....	8
97	<u>15126G1</u>		LOCK NUT, 5/16 - 24	8
98	<u>21809G1</u>		INNER BRAKE DRUM WASHER, 1 5/16" OD X 1" ID X 1/32".....	2
99				
100	<u>21807G2</u>		BRAKE DRUM ASSEMBLY (INCLUDES ITEMS 101 - 102)	2
101	*		BRAKE DRUM.....	1
102	<u>19862G2</u>		LUG BOLT, 1/2 - 20 X 1 3/16" LG.....	4
103				
104				
105	<u>606945</u>		OUTER BRAKE DRUM WASHER.....	2
106	<u>606403</u>		SLOTTED NUT, M22 X 1.5	2
107	<u>10387G1</u>		COTTER PIN, 1/8" X 1-1/2" LG	2
108	<u>74175G01</u>		SPINDLE CAP	2
109	<u>607033</u>		SPINDLE CAP ADAPTER	2
110	<u>608200</u>		BRAKE CABLE BRACKET (PASSENGER SIDE)	1
111	<u>608201</u>		BRAKE CABLE BRACKET (DRIVER SIDE).....	1

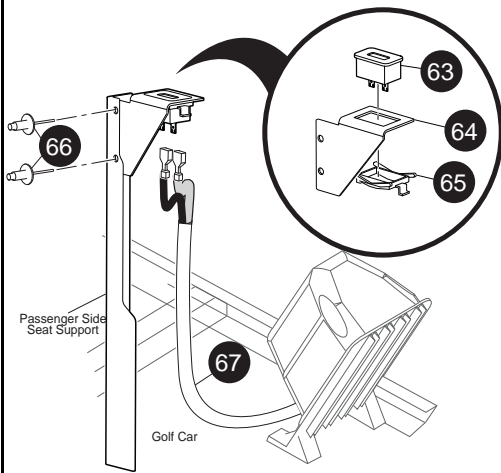
ELECTRICAL





HOUR METER DETAIL

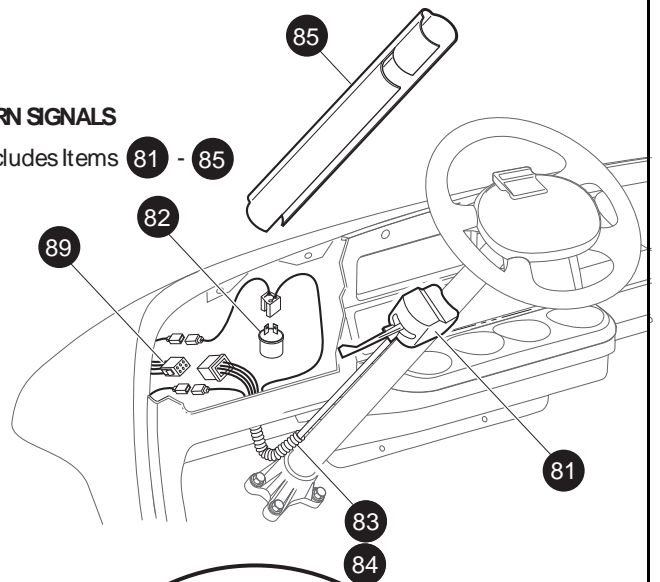
62 - Includes Items 63 - 67



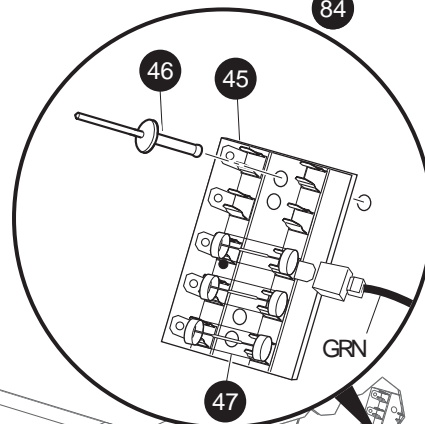
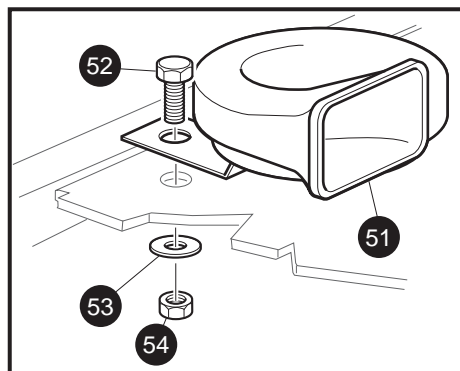
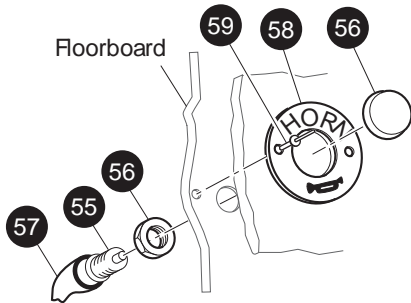
KEY SWITCH AND KEY SET

TURN SIGNALS

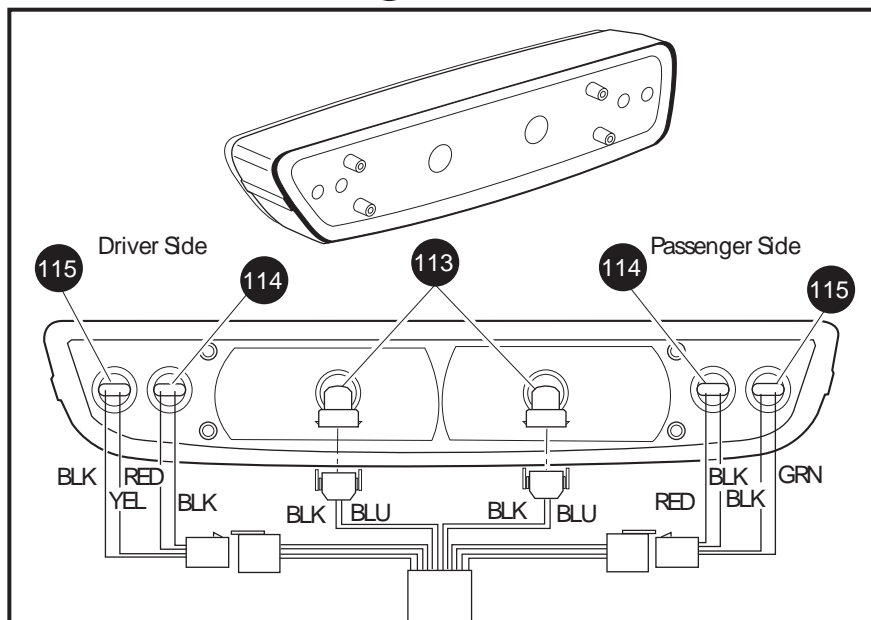
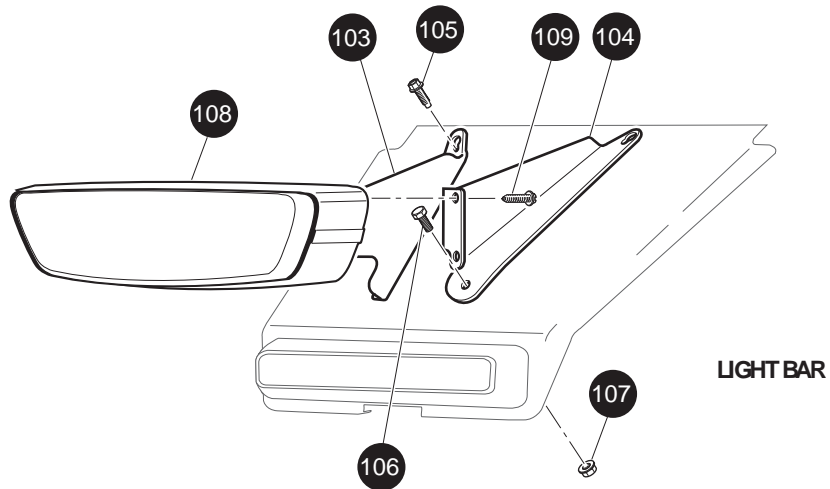
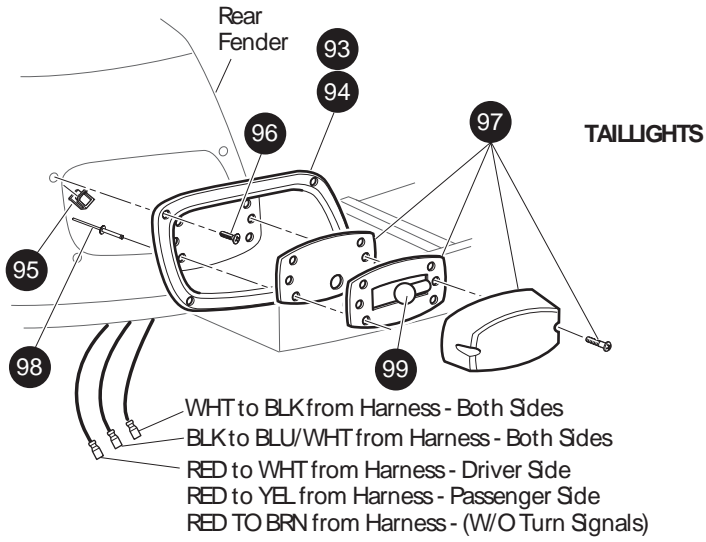
80 - Includes Items 81 - 85



HORN BUTTON



ELECTRICAL



Where applicable, THE USE OF NON UL PARTS WILL VOID ANY UL LISTING.

When ordering parts, please specify the model and serial number of the product.

* Indicates a component that is not available as an individual part.

G**/** Indicates consult Customer Service Department for additional information.

ITEM	PART NO.	1 2 3 4 5	DESCRIPTION	QTY.
1	***		8 VOLT BATTERY T 890.....	6
2				
3				
4	<u>01101G01</u>		HOLD DOWN BOLT (STAINLESS STEEL).....	2
5	<u>612867</u>		BATTERY RETAINER	1
6	<u>11027G1</u>		LOCK NUT, 5/16" - 18	2
7	<u>613236</u>		6 AWG WIRE, BLUE 380mm (15").....	4
8	<u>613237</u>		6 AWG WIRE, BLUE 150mm (5.90").....	1
9	<u>00702G2</u>		NUT, 5/16" - 18	12
10	<u>10570G11</u>		RIVET, 3/16" X 0.70"	1
11				
12				
13	<u>613304</u>		CHARGER RECEPTACLE 48V	1
14	*		CHARGER HARNESS.....	1
15	<u>620964</u>		MAIN WIRE HARNESS, VPS 48V.....	1
16				
17				
18	<u>632275</u>		BATTERY FILL SYSTEM (TROJAN) (INCLUDES ITEMS 19 - 20).....	1
19	<u>632278</u>		MANIFOLD, 8V, TWIST-IN	6
20	<u>614457</u>		SNAKE, HYDROLINK.....	1
21	<u>632276</u>		BATTERY FILL SYSTEM (US BAT) (INCLUDES ITEMS 22 - 23)	1
22	<u>632277</u>		MANIFOLD, 8V, TWIST-IN	6
23	<u>614457</u>		SNAKE, HYDROLINK.....	1
24				
25				
26				
27	<u>71055G01</u>		RIVET, 3/16" X 1" LG (ALUMINUM).....	4
28	<u>17618G1</u>		WIRE TIE	12
29				
30				

ELECTRICAL

Where applicable, THE USE OF NON UL PARTS WILL VOID ANY UL LISTING.

When ordering parts, please specify the model and serial number of the product.

* Indicates a component that is not available as an individual part.

G**/** Indicates consult Customer Service Department for additional information.

ITEM	PART NO.	1 2 3 4 5	DESCRIPTION	QTY.
31				
32	<u>27327G02</u>		CABLE CLAMP	1
33				
34	<u>620422</u>		SPEED SENSOR	1
35	<u>73277G01</u>		RETAINING RING	1
36				
37				
38	<u>00993G01</u>		LOCK WASHER, 5/16" (SILICON BRONZE)	2
39	<u>28418G01</u>		NUT, 5/16" - 18" (BRASS)	2
40				
41				
42	<u>00114G6</u>		SCREW, 5/16" - 18	1
43	<u>16469G1</u>		FENDER WASHER, 1/4"	1
44				
45	<u>22674G1</u>		FUSE BLOCK	1
46	<u>01041G01</u>		RIVET, 1/8" X 13/16" LG	2
47	<u>18392G1</u>		15 AMP FUSE	AR
48				
49				
50				
51	<u>32860G1</u>		HORN	1
52	<u>00414G5</u>		BOLT, 1/4 - 20 X 5/8" LG	1
53	<u>01110G01</u>		WASHER, 1/4" FL	1
54	<u>14390G4</u>		LOCK NUT, 1/4 - 20	1
55	<u>17318G1</u>		HORN SWITCH	1
56	<u>17318G2</u>		HORN SWITCH CAP AND NUT	1
57	<u>27068G01</u>		HORN SWITCH BOOT	1
58	19233G1		HORN SWITCH LABEL	1
59	<u>71055G01</u>		RIVET, 3/16" X 1" LG (ALUMINUM)	2
60				

Where applicable, THE USE OF NON UL PARTS WILL VOID ANY UL LISTING.

When ordering parts, please specify the model and serial number of the product.

* Indicates a component that is not available as an individual part.

G**/** Indicates consult Customer Service Department for additional information.

ITEM	PART NO.	1 2 3 4 5	DESCRIPTION	QTY.
61				
62	75113G02		HOUR METER KIT (INCLUDES ITEMS 63 - 67).....	1
63	<u>620133</u>		HOUR METER.....	1
64	<u>74716G01</u>		HOUR METER BRACKET.....	1
65	<u>74696G01</u>		RETAINER CLIP.....	1
66	<u>10570G11</u>		RIVET.....	2
67	<u>75117G01</u>		WIRE HARNESS (HOUR METER).....	1
68				
69				
70				
71	<u>17421G1</u>		KEY SWITCH KIT (W/O LIGHTS - STANDARD - WITH HARDWARE).....	1
72				
73	<u>18027G1</u>		KEY SWITCH (WITHOUT LIGHTS - INDIVIDUALLY KEYED).....	1
74	33639G**		KEY SWITCH (WITH LIGHTS).....	1
75	<u>00568G6</u>		LOCK WASHER, 3/4".....	1
76	<u>17137P1</u>		FACE NUT, 3/4 - 20.....	1
77	<u>17063G1</u>		KEY (SET).....	1
78				
79				
80	<u>75107G02</u>		TURN SIGNAL KIT (INCLUDES ITEMS 81 - 85).....	1
81	<u>611810</u>		TURN SIGNAL (WITH MOUNTING HARDWARE).....	1
82	<u>21640G1</u>		TURN SIGNAL FLASHER.....	1
83	<u>32307G3</u>		FLEX LOOM, 3/8" X 8" LG.....	1
84	<u>17618G1</u>		WIRE TIE.....	2
85	<u>20965G3</u>		STEERING COLUMN COVER.....	1
86				
87				
88				
89	73043G01		WIRE HARNESS (ACCESSORY).....	1
90				

ELECTRICAL

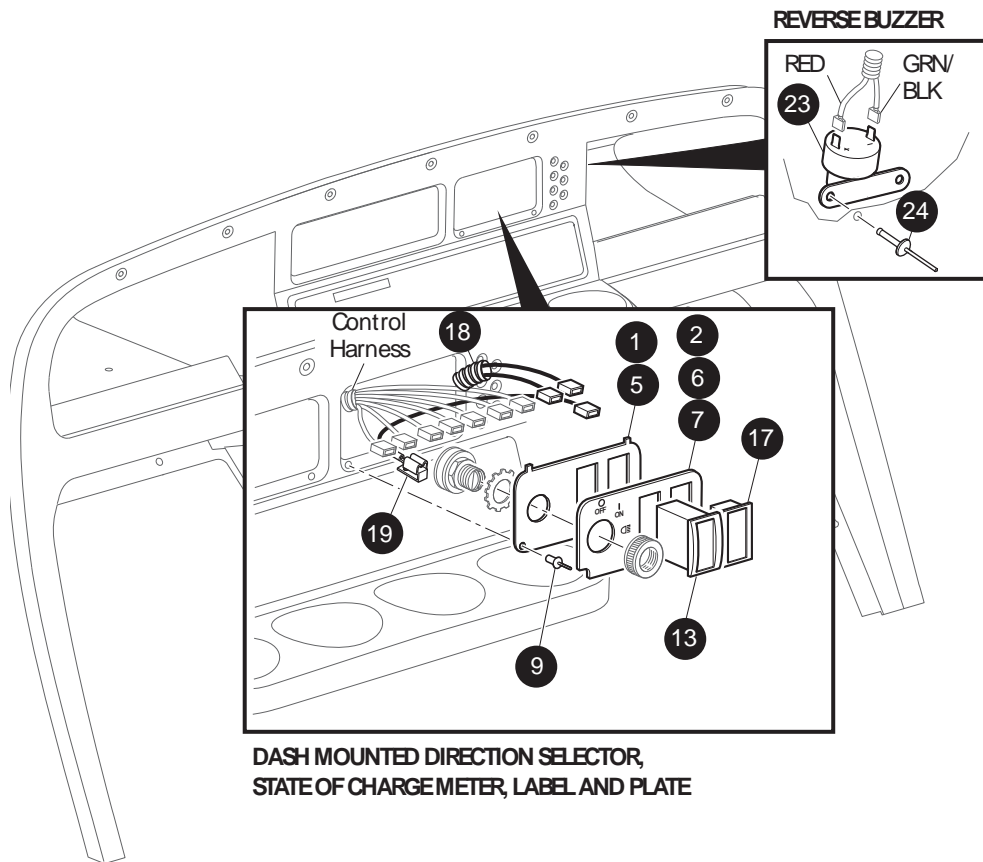
Where applicable, THE USE OF NON UL PARTS WILL VOID ANY UL LISTING.

When ordering parts, please specify the model and serial number of the product.

* Indicates a component that is not available as an individual part.

G**/** Indicates consult Customer Service Department for additional information.

ITEM	PART NO.	1 2 3 4 5	DESCRIPTION	QTY.
91				
92				
93	<u>74371G01</u>		BEZEL (DRIVER SIDE).....	1
94	<u>74371G02</u>		BEZEL (PASSENGER SIDE)	1
95	<u>71364G02</u>		'J' CLIP	8
96	<u>71425G01</u>		COUNTERSUNK SCREW, #8	8
97	<u>610416</u>		BRAKE / TAILLIGHT LAMP.....	1
98	<u>14601G11</u>		RIVET, 3/16" X 9/16" LG (ALUMINUM).....	4
99	<u>21759G1</u>		TAILLIGHT BULB	AR
100				
101				
102				
103	<u>74236G03</u>		HEADLIGHT MOUNT BRACKET (PASSENGER SIDE).....	1
104	<u>74236G04</u>		HEADLIGHT MOUNT BRACKET (DRIVER SIDE)	1
105	<u>01038G01</u>		BOLT, 1/4 - 20 X 11/16" LG	2
106	<u>00414G6</u>		BOLT, 1/4 - 20 X 3/4" LG	2
107	<u>11027G2</u>		LOCK NUT, 1/4 - 20	2
108	<u>74001G01</u>		HEADLIGHT AND TURN SIGNAL LIGHT	1
109	<u>00114-G6</u>		SCREW, 1/4 - 14 X 3/4" LG.....	4
110				
111				
112				
113	<u>74004G01</u>		HEAD LIGHT BULB	AR
114	<u>74005G01</u>		MARKER LIGHT BULB	AR
115	<u>74006G01</u>		TURN SIGNAL BULB.....	AR



**DASH MOUNTED DIRECTION SELECTOR,
STATE OF CHARGE METER, LABEL AND PLATE**

ELECTRICAL

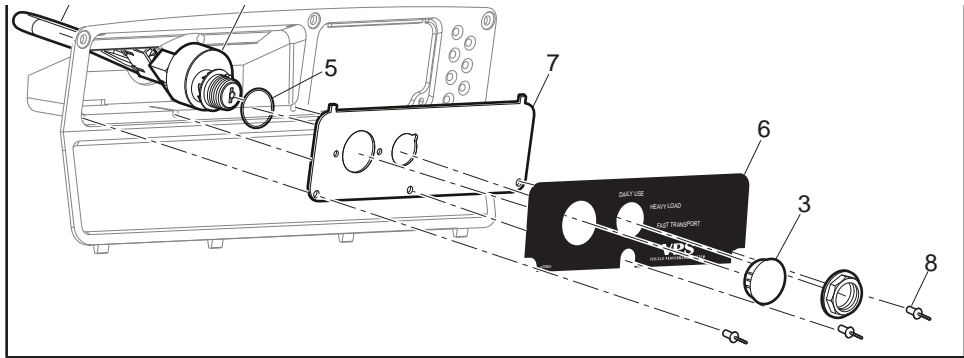
Where applicable, THE USE OF NON UL PARTS WILL VOID ANY UL LISTING.

When ordering parts, please specify the model and serial number of the product.

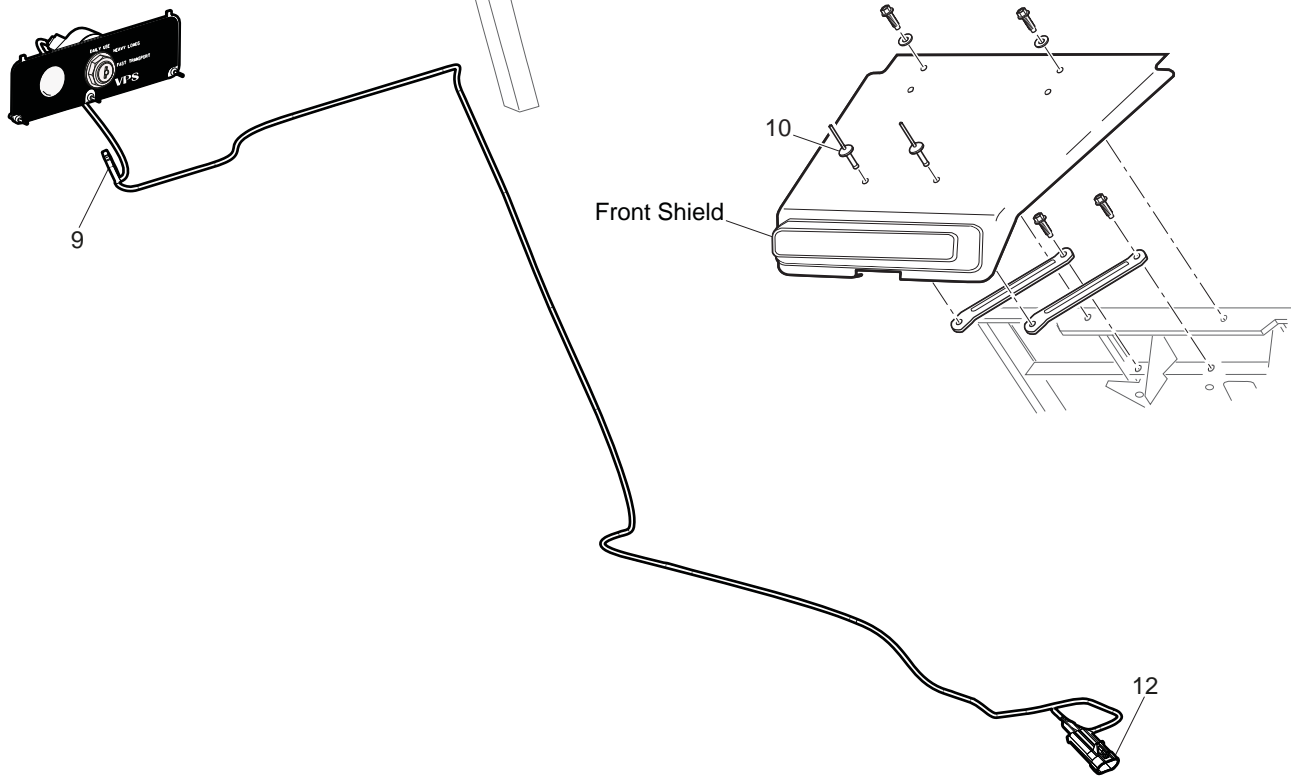
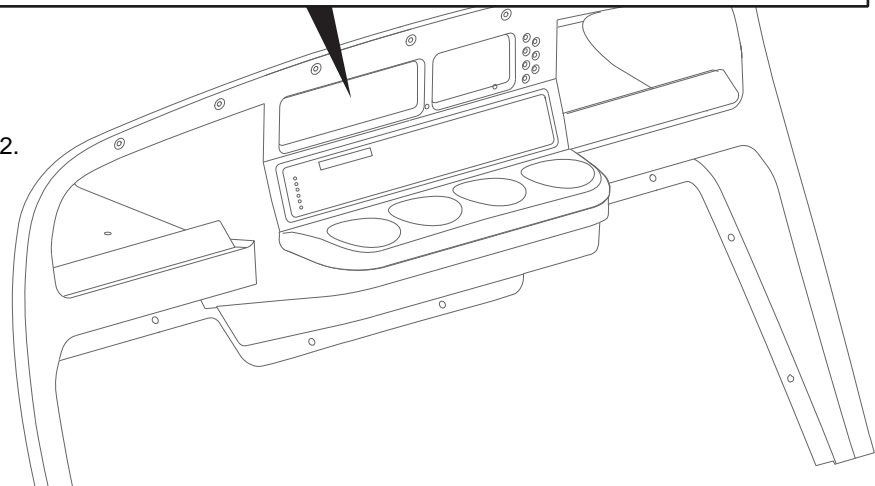
* Indicates a component that is not available as an individual part.

G**/** Indicates consult Customer Service Department for additional information.

ITEM	PART NO.	1 2 3 4 5	DESCRIPTION	QTY.
1	<u>601016</u>		PLATE (KEY SWITCH, DIRECTION SELECTOR)	1
2	<u>74316G01</u>		LABEL (KEY SWITCH WITHOUT LIGHTS, DIRECTION SELECTOR).....	1
3				
4				
5	<u>73030G06</u>		PLATE (KEY SWITCH, DIRECTION SELECTOR, CHARGE METER)	1
6	<u>74320G01</u>		LABEL (KEY SWITCH WITHOUT LIGHTS, DIRECTION SELECTOR, CHARGE METER)	1
7	<u>74322G01</u>		LABEL (KEY SWITCH WITH LIGHTS, DIRECTION SELECTOR, CHARGE METER)	1
8				
9	<u>33623G02</u>		DRIVE RIVET, 3/16" X 3/8" LG	2
10				
11				
12				
13	<u>74323G01</u>		DIRECTION SELECTOR SWITCH (DASH MOUNTED).....	1
14				
15				
16				
17	<u>33636G04</u>		STATE OF CHARGE METER (VERTICAL)	1
18	<u>74018G01</u>		WIRE HARNESS (STATE OF CHARGE METER)	1
19	<u>25978G74</u>		18 GA WIRE (RED 6").....	1
20				
21				
22				
23	<u>73290G02</u>		REVERSE WARNING BUZZER (CONTINUOUS TONE)	1
24	<u>01041G01</u>		RIVET, 1/8" X 13/16" LG	2



Items 1 & 11 are not shown.
1 includes items 2 - 10.
11 includes items 2 -10 & 12.



ELECTRICAL

Where applicable, THE USE OF NON UL PARTS WILL VOID ANY UL LISTING.

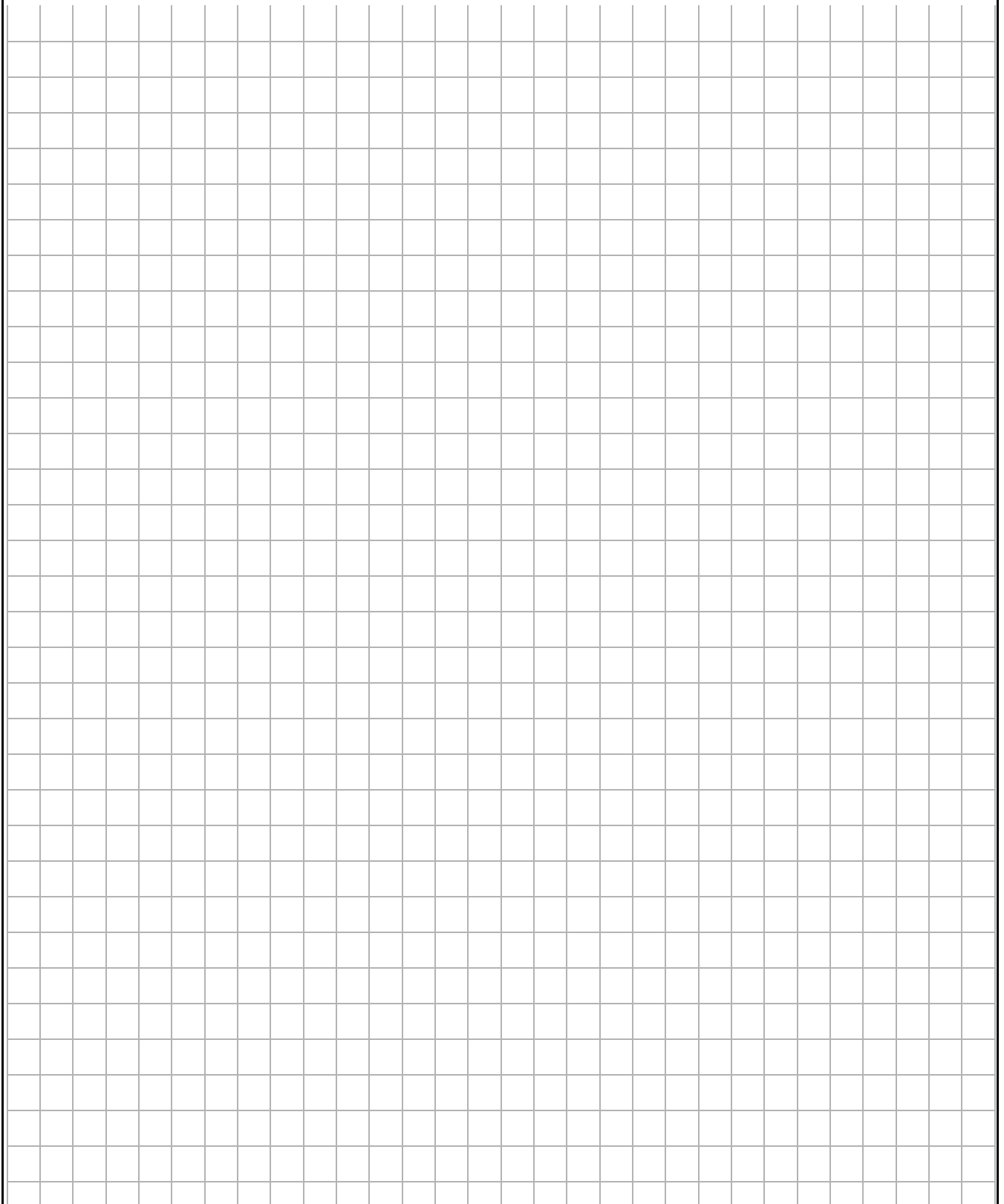
When ordering parts, please specify the model and serial number of the product.

* Indicates a component that is not available as an individual part.

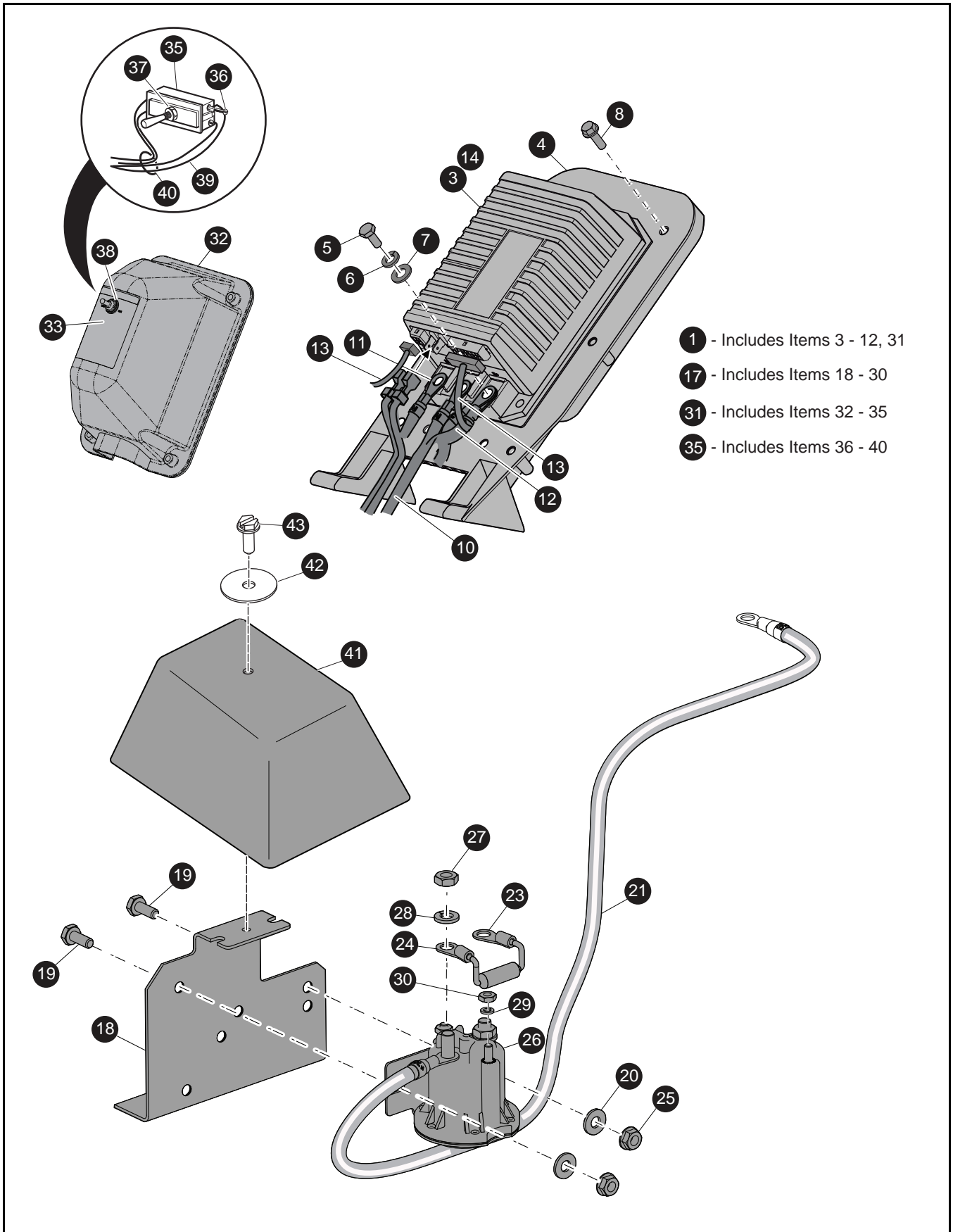
G**/** Indicates consult Customer Service Department for additional information.

ITEM	PART NO.	1 2 3 4 5	DESCRIPTION	QTY.
1	617187		SVC-KIT, VPS WITH MAIN PLUG (INCLUDES 2-10) (For TXT Freedom 48V DC and TXT 2+2 48V DC)	1
2	<u>617185</u>		VPS WIRE HARNESS, 48V DC	1
3	<u>20271-G10</u>		HOLE PLUG, 1.125.....	1
4	<u>606527</u>		VPS KEYSWITCH	1
5	<u>21809G1</u>		WASHER	1
6	<u>617186</u>		VPS DECAL.....	1
7	<u>606523</u>		CONSOLE PLATE	1
8	33623-G02		DRIVE RIVET, 3/16" X 3/8" LG	3
9	<u>17618-G1</u>		NYLON CLAMP	6
10	<u>01057-G01</u>		KTR RIVET	2
11	617188		SVC-KIT, VPS W/O MAIN PLUG (INCLUDES 2-10 and 12) (For TXT FLEET 48V DC)	1
12	<u>617184</u>		SVC- HARNESS, VPS ADAPTER.....	1

Notes:



ELECTRONIC SPEED CONTROL



ELECTRONIC SPEED CONTROL

Where applicable, THE USE OF NON UL PARTS WILL VOID ANY UL LISTING.

When ordering parts, please specify the model and serial number of the product.

* Indicates a component that is not available as an individual part.

G** Indicates consult Customer Service Department for additional information.

ITEM	PART NO.	1	2	3	4	5	DESCRIPTION	QTY.
1	<u>612756</u>						ELECTRONIC SPEED CONTROL ASSEMBLY 48 V (INCLUDES ITEMS 3 - 12, 31).....	1
2								
3	<u>612632</u>						CONTROLLER, 48V	1
4	<u>73471G01</u>						HEATSINK	1
5	<u>73296G01</u>						BOLT, 8MM	3
6	<u>00565G8</u>						LOCK WASHER, 5/16"	3
7	<u>01110G01</u>						FLAT WASHER, 5/16"	3
8	<u>71102G01</u>						BOLT, 1/4 - 20 X 3/4" LG.....	3
9								
10	<u>73106G01</u>						WIRE HARNESS (POWER)	1
11	<u>620437</u>						WIRE, BLUE 6.755MM, 6 AWG.....	1
12	<u>620432</u>						WIRE, GREEN 400MM, 6 AWG	1
13	<u>620196</u>						MAIN HARNESS	1
14	<u>615357</u>						CONTROLLER, 48V (FOR FREEDOM ONLY).....	1
15								
16								
17	<u>613104</u>						SOLENOID ASSEMBLY (INCLUDES ITEMS 18 - 30).....	1
18	<u>73057G01</u>						BRACKET	1
19	<u>00414G5</u>						BOLT 1/4" - 20	2
20	<u>01110G01</u>						FLAT WASHER, 5/16"	2
21	<u>607592</u>						WIRE ASSEMBLY, 4AWG, GREEN, 706MM.....	1
22	<u>620430</u>						RESISTOR ASSEMBLY 500 OHM	1
23	<u>23195G1</u>						RING TERMINAL	2
24	<u>620430</u>						RESISTOR, 500 OHM, 6.5W	1
25	<u>11027G02</u>						FLANGED NUT, 1/4" -20	2
26	<u>614307</u>						SOLENOID 48V	1
27	<u>00544G4</u>						LOCK NUT, 5/16 - 18	2
28	<u>00565G8</u>						LOCK WASHER, 5/16".....	2
29	<u>00565G5</u>						LOCK WASHER, #10.....	2

ELECTRONIC SPEED CONTROL

Where applicable, THE USE OF NON UL PARTS WILL VOID ANY UL LISTING.

When ordering parts, please specify the model and serial number of the product.

* Indicates a component that is not available as an individual part.

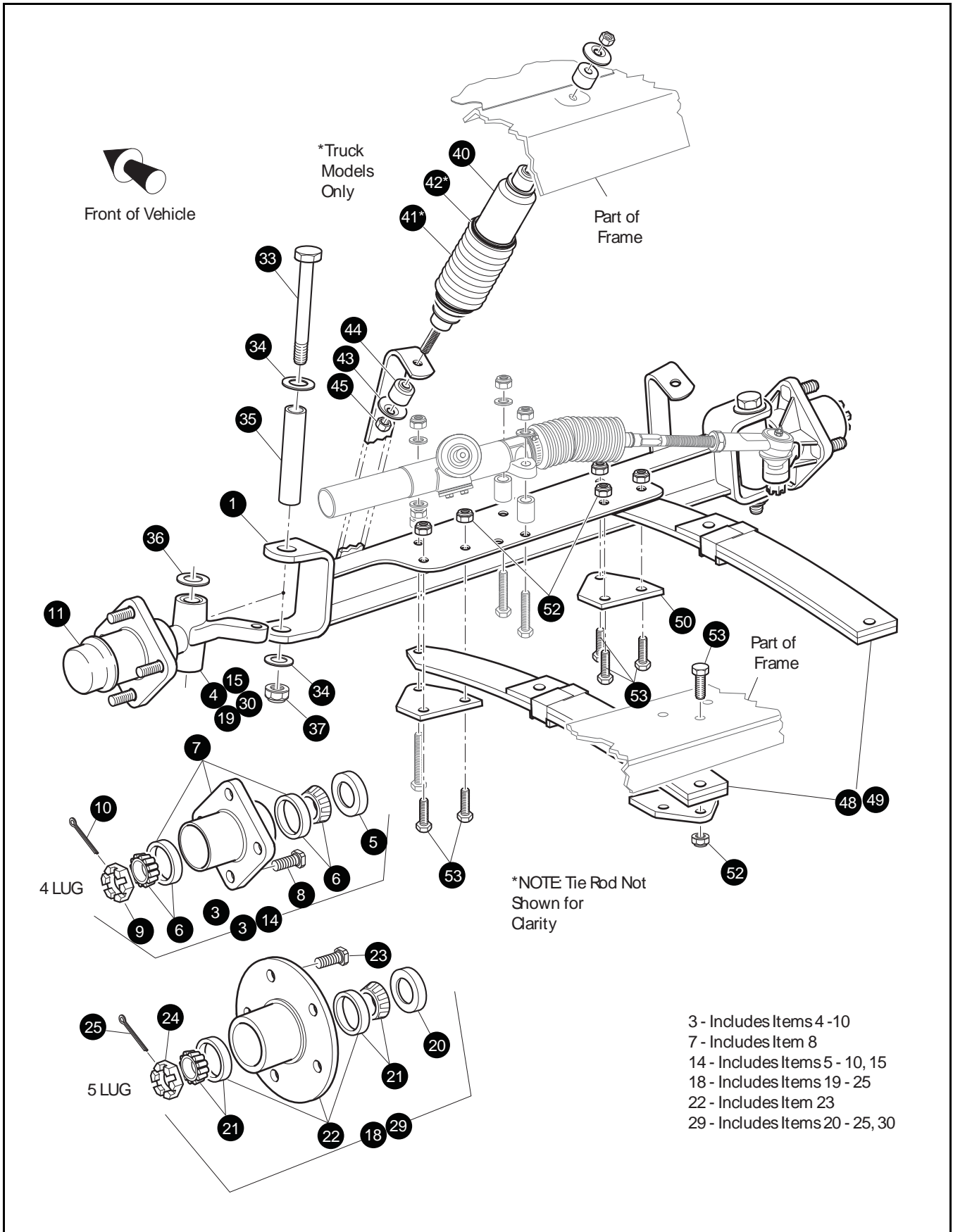
G** Indicates consult Customer Service Department for additional information.

ITEM	PART NO.	1	2	3	4	5	DESCRIPTION	QTY.
30	<u>00526G4</u>						LOCK NUT, #10.....	2
31	<u>612753</u>						COVER ASSEMBLY (INCLUDES ITEMS 32 - 35)	1
32	<u>73482G01</u>						COVER (WITH GASKET)	1
33	<u>613048</u>						LABEL (TOW SWITCH)	1
34								
35	<u>73125G01</u>						TOGGLE SWITCH WITH SEAL (INCLUDES ITEMS 36 - 40)	1
36	*						SCREW, #5 - 40.....	4
37	*						NUT, 15/32 - 32.....	1
38	<u>73139G01</u>						SEALED NUT, 15/32 - 32.....	1
39	<u>73138G02</u>						WIRE HARNESS (TOW SWITCH)	1
40	<u>17618G1</u>						WIRE TIE	1
41	<u>73049G01</u>						COVER	1
42	<u>16469G1</u>						FLAT WASHER	1
43	<u>00114G6</u>						SCREW HEX SOLTTED HEAD	1

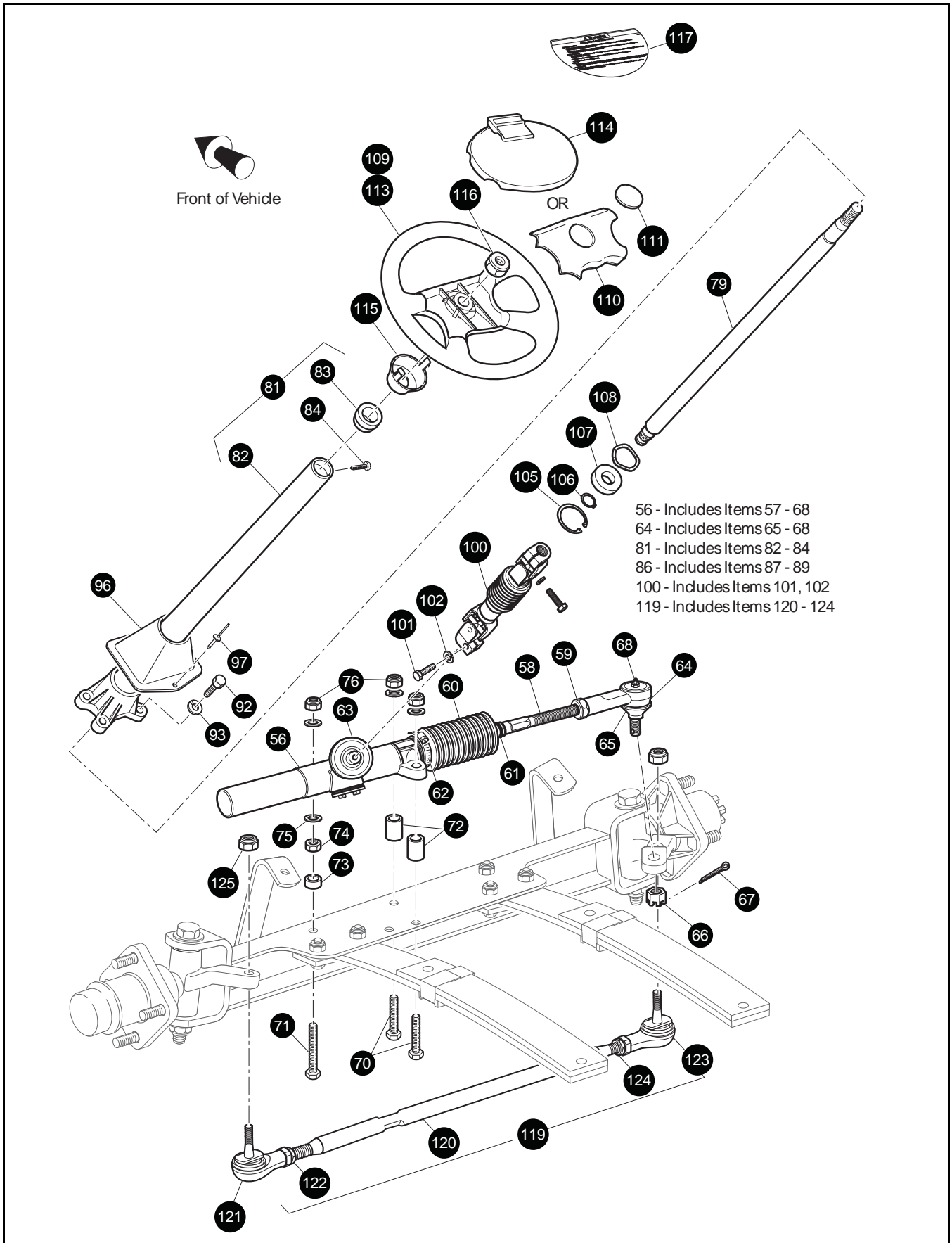
Notes:

A large grid of graph paper for taking notes, consisting of 20 columns and 30 rows of small squares.

FRONT SUSPENSION & STEERING



FRONT SUSPENSION & STEERING



FRONT SUSPENSION & STEERING

Where applicable, THE USE OF NON UL PARTS WILL VOID ANY UL LISTING.

When ordering parts, please specify the model and serial number of the product.

* Indicates a component that is not available as an individual part.

G** Indicates consult Customer Service Department for additional information.

ITEM	PART NO.	1 2 3 4 5	DESCRIPTION	QTY.
1	<u>602513</u>		FRONT AXLE.....	1
2				
3	<u>70942G01</u>		SPINDLE AND HUB ASSEMBLY, 4 LUG (PASSENGER SIDE) (INCLUDES ITEMS 4 - 10)	1
4	<u>70942G02</u>		SPINDLE ASSEMBLY (PASSENGER SIDE)	1
5	<u>25146G1</u>		GREASE SEAL.....	1
6	<u>50892G1</u>		ROLLER BEARING AND RACE ASSEMBLY	2
7	<u>70895G01</u>		WHEEL HUB ASSEMBLY WITH RACES, 4 LUG (INCLUDES ITEM 8)	1
8	<u>19862G1</u>		LUG BOLT, 1/2" - 20 X 1 3/16" LG	4
9	12093G1		CASTELLATED NUT, 1" - 14	1
10	<u>00798G8</u>		COTTER PIN, 5/32" X 1 3/4" LG	1
11	<u>12091G2</u>		SPINDLE CAP	2
12				
13				
14	<u>70673G03</u>		SPINDLE AND HUB ASSEMBLY, 4 LUG (DRIVER SIDE) (INCLUDES ITEMS 5 - 10, 15)	1
15	<u>70673G04</u>		SPINDLE ASSEMBLY (DRIVER SIDE).....	1
16				
17				
18	<u>70943G01</u>		SPINDLE AND HUB ASSEMBLY, 5 LUG (PASSENGER SIDE) (INCLUDES ITEMS 19 - 25)	1
19	<u>70942G02</u>		SPINDLE ASSEMBLY (PASSENGER SIDE)	1
20	<u>12092G1</u>		GREASE SEAL.....	1
21	<u>50892G1</u>		ROLLER BEARING AND RACE ASSEMBLY	2
22	<u>70772G01</u>		WHEEL HUB ASSEMBLY WITH RACES, 5 LUG (INCLUDES ITEM 23)...	1
23	30143G1		LUG BOLT, 1/2" - 20 X 1 7/32" LG	5
24	12093G1		CASTELLATED NUT, 1" - 14	1
25	<u>00798G8</u>		COTTER PIN, 5/32" X 1 3/4" LG	1
26				
27				
28				

FRONT SUSPENSION & STEERING

Where applicable, THE USE OF NON UL PARTS WILL VOID ANY UL LISTING.

When ordering parts, please specify the model and serial number of the product.

* Indicates a component that is not available as an individual part.

G** Indicates consult Customer Service Department for additional information.

ITEM	PART NO.	1 2 3 4 5	DESCRIPTION	QTY.
29	<u>70797G01</u>		SPINDLE AND HUB ASSEMBLY, 5 LUG (DRIVER SIDE) (INCLUDES ITEMS 20 - 25, 30)	1
30	70673G02		SPINDLE ASSEMBLY (DRIVER SIDE)	1
31				
32				
33	<u>00407G6</u>		HEX HEAD BOLT, 1/2" - 13 X 6" LG.....	2
34	<u>00560G3</u>		FLAT WASHER, 1/2"	4
35	<u>70745G01</u>		KING PIN TUBE	2
36	<u>70754G01</u>		THRUST WASHER, 1" (STAINLESS STEEL).....	2
37	<u>14390G6</u>		LOCK NUT, 1/2" - 13.....	2
38				
39				
40	<u>76419G01</u>		SHOCK ABSORBER	2
41	<u>70509G01</u>		SHOCK ABSORBER BOOT	2
42	<u>31539G1</u>		WIRE TIE	4
43	<u>10435G1</u>		SHOCK ABSORBER WASHER	8
44	<u>10194G1</u>		RUBBER BUSHING	8
45	<u>00532G6</u>		HEX NUT, 3/8" - 24.....	4
46				
47				
48	<u>70990G03</u>		LEAF SPRING (SEE PART NUMBER ON SPRING)	2
49	<u>70989G03</u>		LEAF SPRING (HEAVY DUTY) (SEE PART NUMBER ON SPRING)	2
50	<u>70163G03</u>		SPRING PLATE	4
51				
52	<u>00734G1</u>		LOCK NUT, 7/16" - 14.....	11
53	<u>00463G11</u>		HEX HEAD BOLT, 7/16" - 14 X 1 3/4" LG.....	11
54				
55				
56	<u>70964G02</u>		RACK AND PINION UNIT (COMPLETE) (INCLUDES ITEMS 57 - 68)	1
57	*		STEERING BOX INSTALLATION TAG	1

FRONT SUSPENSION & STEERING

Where applicable, THE USE OF NON UL PARTS WILL VOID ANY UL LISTING.

When ordering parts, please specify the model and serial number of the product.

* Indicates a component that is not available as an individual part.

G** Indicates consult Customer Service Department for additional information.

ITEM	PART NO.	1	2	3	4	5	DESCRIPTION	QTY.
58	<u>70694G01</u>						RACK EXTENSION	1
59	*						JAM NUT, 1/2" - 20	1
60	<u>70961G01</u>						RACK BOOT	1
61	<u>12416G2</u>						WIRE TIE	1
62	<u>11391G8</u>						CLAMP, 1 13/16" - 2 3/8"	1
63	<u>70638G01</u>						PINION SEAL	1
64	<u>70695G01</u>						RACK BALL JOINT (INCLUDES ITEMS 65 - 68)	1
65	<u>50641G1</u>						RUBBER BOOT	1
66	<u>50209G2</u>						CASTELLATED NUT, 7/16 - 20	1
67	<u>10387G2</u>						COTTER PIN, 3/32" X 1" LG	1
68	<u>10389G3</u>						GREASE FITTING, STRAIGHT	1
69								
70	<u>00464G6</u>						HEX HEAD BOLT, 7/16" - 14 X 2 3/4" LG	2
71	<u>01068G01</u>						HEX HEAD BOLT, 7/16" - 14 X 3 1/2" LG	1
72	<u>70667G02</u>						SPACER, 1.21" LG	2
73	<u>70667G04</u>						SPACER (SHORT), 0.69" LG	1
74	<u>00532G7</u>						HEX NUT, 7/16" - 14	1
75	<u>00560G2</u>						FLAT WASHER, 7/16"	4
76	<u>00734G1</u>						LOCK NUT, 7/16" - 14	3
77								
78								
79	<u>70607G01</u>						STEERING SHAFT	1
80								
81	<u>70758G05</u>						STEERING COLUMN KIT (INCLUDES ITEMS 82 - 84)	1
82	<u>70610G03</u>						STEERING COLUMN	1
83	<u>28569G01</u>						STEERING COLUMN BUSHING	1
84	<u>01022G01</u>						HEX WASHER HEAD SCREW, #6 - 20 X 5/16" LG	1
85								
86								
87								

FRONT SUSPENSION & STEERING

Where applicable, THE USE OF NON UL PARTS WILL VOID ANY UL LISTING.

When ordering parts, please specify the model and serial number of the product.

* Indicates a component that is not available as an individual part.

G** Indicates consult Customer Service Department for additional information.

ITEM	PART NO.	1 2 3 4 5	DESCRIPTION	QTY.
88				
89				
90				
91				
92	<u>01006G01</u>		HEX WASHER HEAD BOLT, 3/8" - 16 X 1 1/4" LG.....	4
93	<u>00879G1</u>		LOCK WASHER, 3/8".....	4
94				
95				
96	<u>70997G01</u>		COVER.....	1
97	<u>71055G01</u>		RIVET, 3/16" X 1" LG (ALUMINUM).....	1
98				
99				
100	<u>70580G01</u>		INTERMEDIATE SHAFT (INCLUDES ITEMS 101, 102).....	1
101	<u>01055G01</u>		HEX HEAD BOLT, M8 X 1.25 - 6G	2
102	<u>00565G8</u>		LOCK WASHER, 5/16"	2
103				
104				
105	<u>70751G01</u>		RETAINING RING (INTERNAL).....	1
106	<u>70888G01</u>		RETAINING RING (EXTERNAL).....	1
107	<u>15112G1</u>		BALL BEARING	1
108	<u>70887G01</u>		WAVE WASHER.....	1
109	<u>602979</u>		STEERING WHEEL	1
110	<u>71147G01</u>		STEERING WHEEL COVER	1
111	<u>71047G01</u>		LABEL (E-Z-GO)	1
112				
113	<u>602979</u>		STEERING WHEEL	1
114	<u>607925</u>		CLIPBOARD.....	1
115	<u>71949G01</u>		HUB COVER	1
116	<u>14390G2</u>		LOCK NUT, 5/8" - 18	1
117	<u>608529</u>		WARNING LABEL.....	1

FRONT SUSPENSION & STEERING

Where applicable, THE USE OF NON UL PARTS WILL VOID ANY UL LISTING.

When ordering parts, please specify the model and serial number of the product.

* Indicates a component that is not available as an individual part.

G** Indicates consult Customer Service Department for additional information.

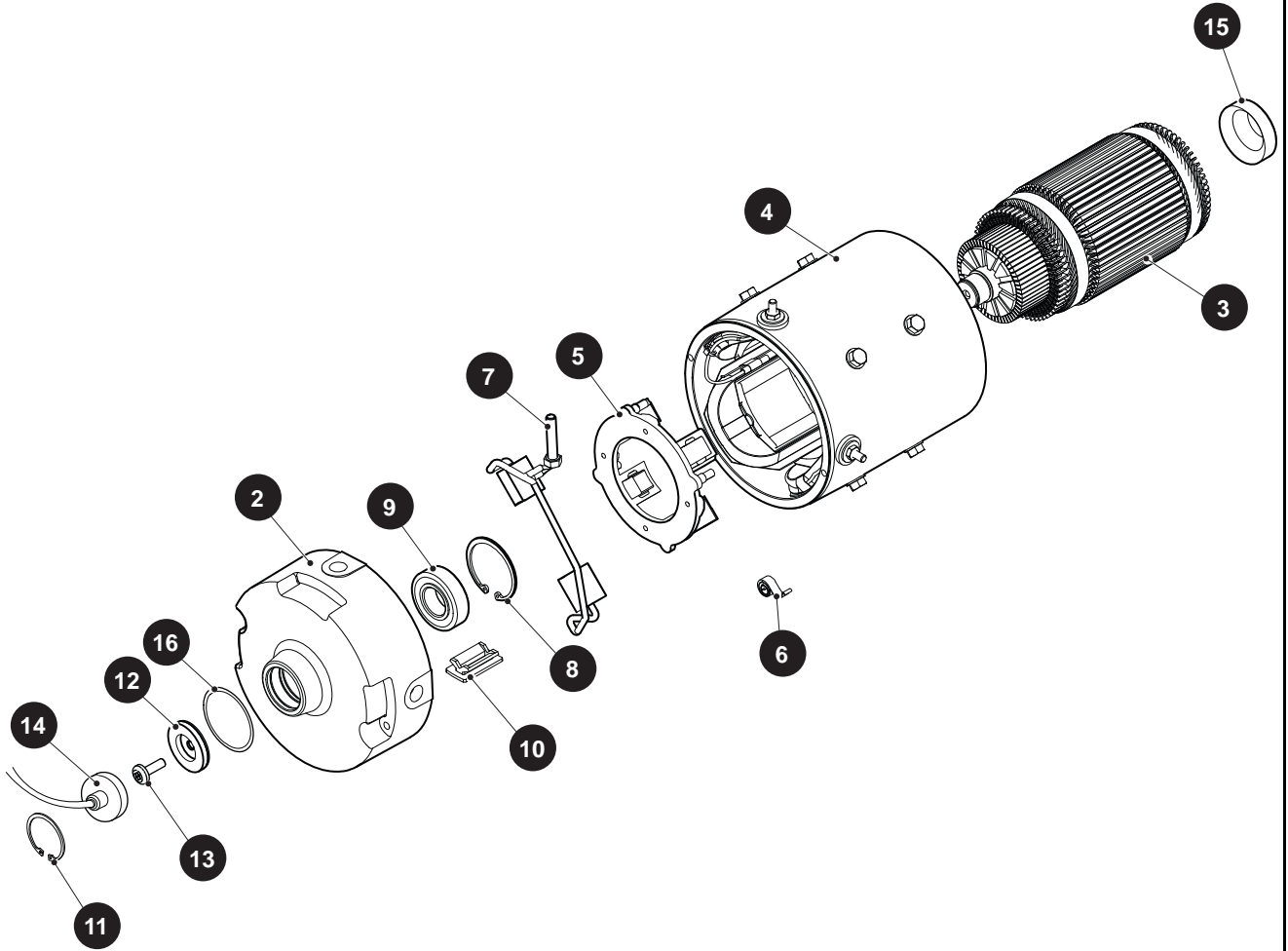
ITEM	PART NO.	1	2	3	4	5	DESCRIPTION	QTY.
118								
119	<u>70876G02</u>						TIE ROD ASSEMBLY (INCLUDES ITEMS 120 - 124)	1
120	<u>70897G02</u>						THREADED ROD (24" LG)	1
121	<u>70902G01</u>						TIE ROD END (LEFT HAND THREADS)	1
122	<u>01069G01</u>						JAM NUT, M12 X 1.25 - 05 (LEFT HAND THREADS)	1
123	<u>70902G02</u>						TIE ROD END (RIGHT HAND THREADS)	1
124	<u>01069G02</u>						JAM NUT, M12 X 1.25 - 05 (RIGHT HAND THREADS)	1
125	<u>00734G1</u>						LOCK NUT, 7/16" - 14	2

Notes:

A large grid of graph paper for taking notes, consisting of 20 columns and 30 rows of small squares.

MOTORS

1 Motor Includes Items 2 - 10

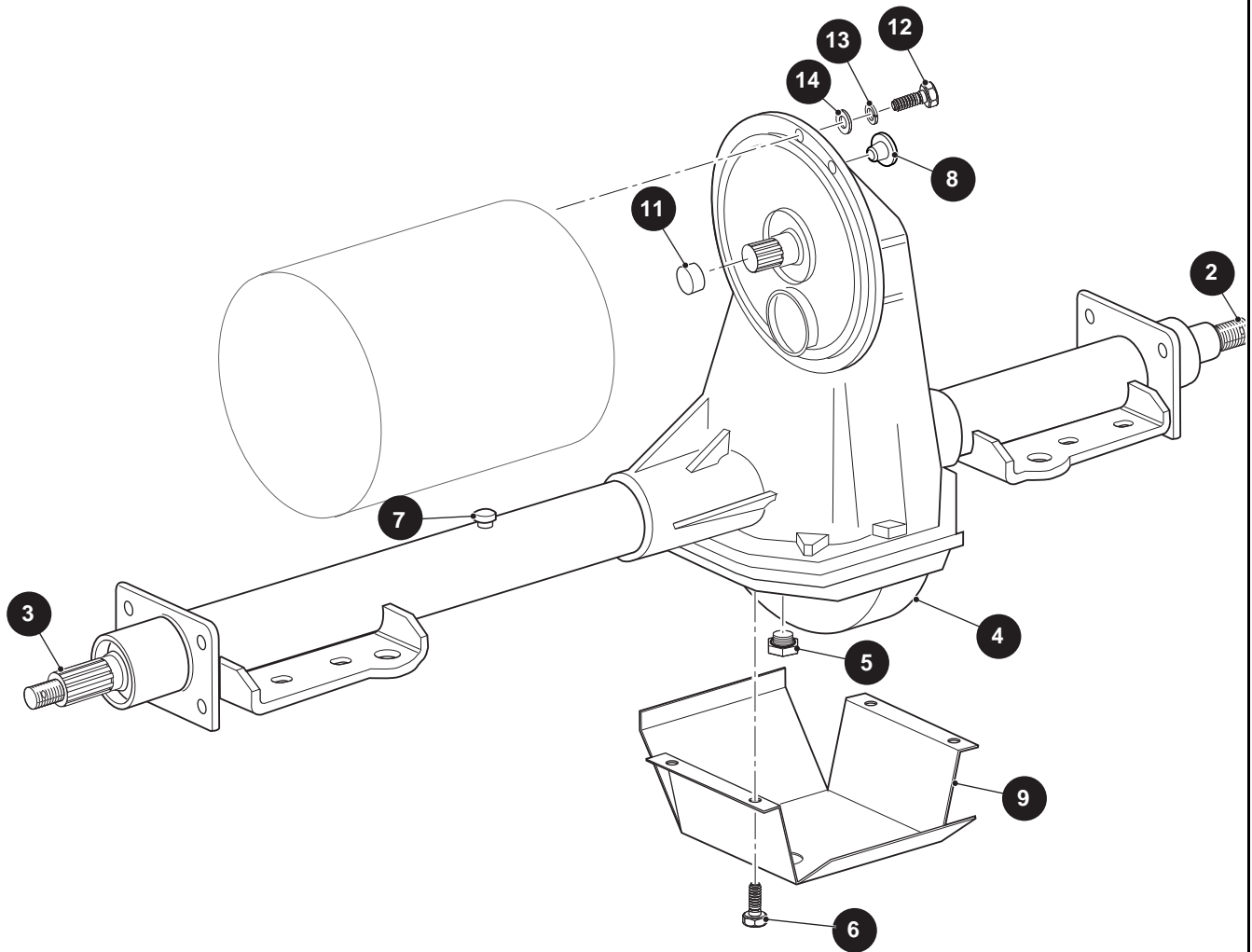


Where applicable, THE USE OF NON UL PARTS WILL VOID ANY UL LISTING.
 When ordering parts, please specify the model and serial number of the product.
 * Indicates a component that is not available as an individual part.
 G** Indicates consult Customer Service Department for additional information.

ITEM	PART NO.	1 2 3 4 5	DESCRIPTION	QTY.
1	<u>624105</u>		MOTOR 48V (INCLUDES ITEMS 2 - 10)	1
2	<u>625886</u>		COMMUNTATOR END HEAD	1
3	<u>626171</u>		ARMATURE	1
4	<u>626172</u>		FRAME AND FILED ASSEMBLY	1
5	<u>625884</u>		BRUSH BOX ASSEMBLY.....	1
6	<u>73120G03</u>		BRUSH SPRING.....	4
7	<u>73120G25</u>		BRUSH AND TERMINAL SERVICE KIT	1
8	<u>73120G06</u>		RETAINING RING.....	1
9	<u>73120G07</u>		BEARING.....	1
10	<u>625885</u>		COVER	1
11	<u>73277G01</u>		RETAINING RING	1
12	<u>73328G01</u>		SPEED SENSOR MAGNET.....	1
13	<u>01037G02</u>		SCREW	1
14	<u>620422</u>		SPEED SENSOR HARNESS.....	1
15	<u>24261G1</u>		BUMPER SPLINE	1
16	<u>624109</u>		O-RING	1

REAR AXLE

1 - REAR AXLE ASSEMBLY includes items 2 - 7

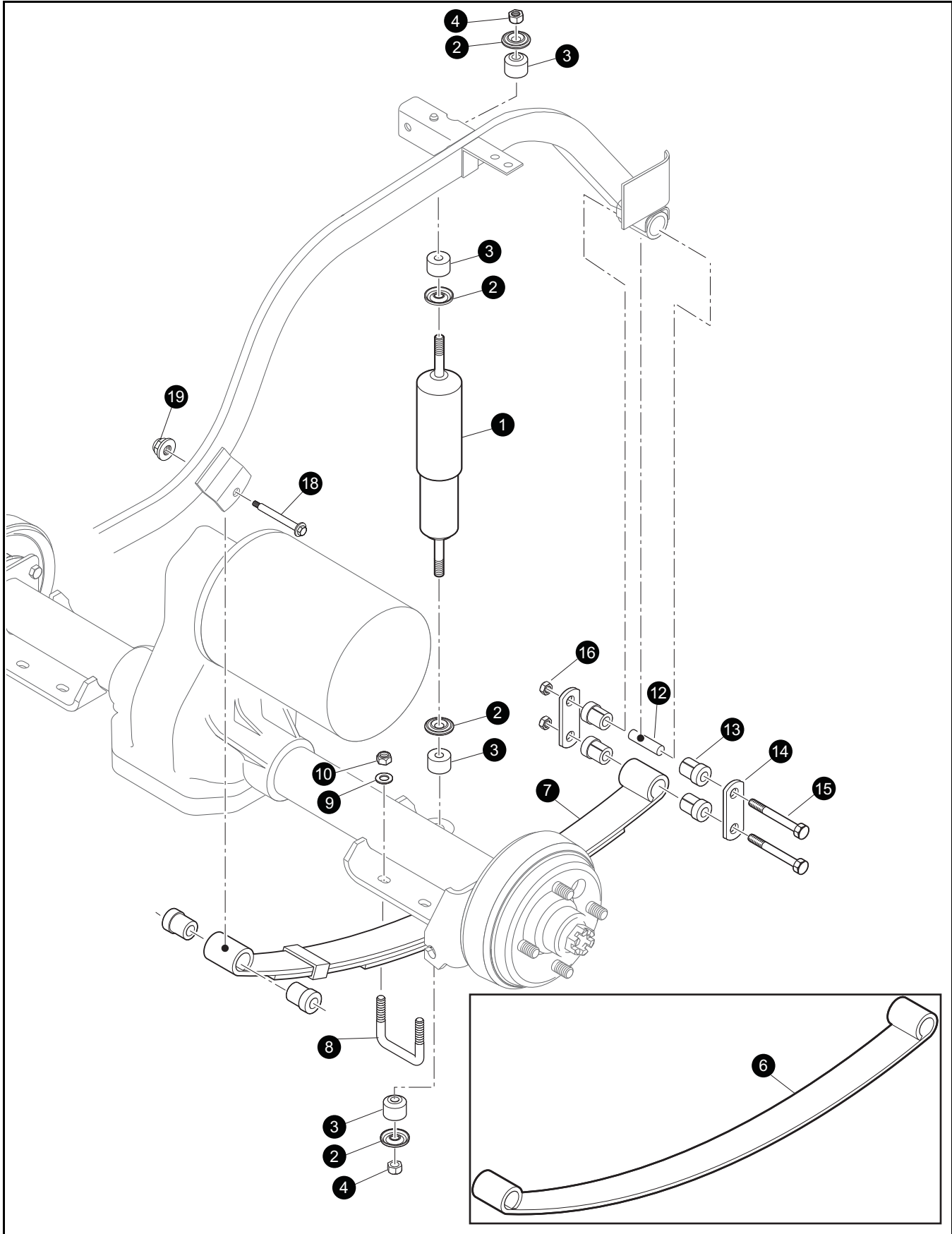


REAR AXLE

Where applicable, THE USE OF NON UL PARTS WILL VOID ANY UL LISTING.
 When ordering parts, please specify the model and serial number of the product.
 * Indicates a component that is not available as an individual part.
 G** Indicates consult Customer Service Department for additional information.

ITEM	PART NO.	1 2 3 4 5	DESCRIPTION	QTY.
1	<u>73500G01</u>		REAR AXLE ASSEMBLY (INCLUDES ITEMS 2 - 7)	1
2	<u>20377G12</u>		AXLE SHAFT (PASSENGER SIDE)	1
3	<u>20377G11</u>		AXLE SHAFT (DRIVER SIDE).....	1
4	*		DIFFERENTIAL COVER.....	1
5	<u>28610G01</u>		FILL PLUG WITH 'O' RING.....	1
6	<u>15558G1</u>		BOLT, 5/16 - 18 X 3/4" LG.....	10
7	<u>73050G01</u>		VENT	1
8	<u>624110</u>		PLUG.....	3
9	<u>72763G02</u>		SCUFF GUARD	1
10				
11	<u>24261G1</u>		SPLINE BUMPER (SEE ELECTRIC MOTOR).....	1
12	<u>00797G2</u>		BOLT, 1/4 - 20 X 1 1/4" LG	3
13	<u>00664G7</u>		LOCK WASHER, 1/4"	3
14	<u>01110G01</u>		WASHER FLAT, 1/4"	3

REAR SUSPENSION



REAR SUSPENSION

Where applicable, THE USE OF NON UL PARTS WILL VOID ANY UL LISTING.

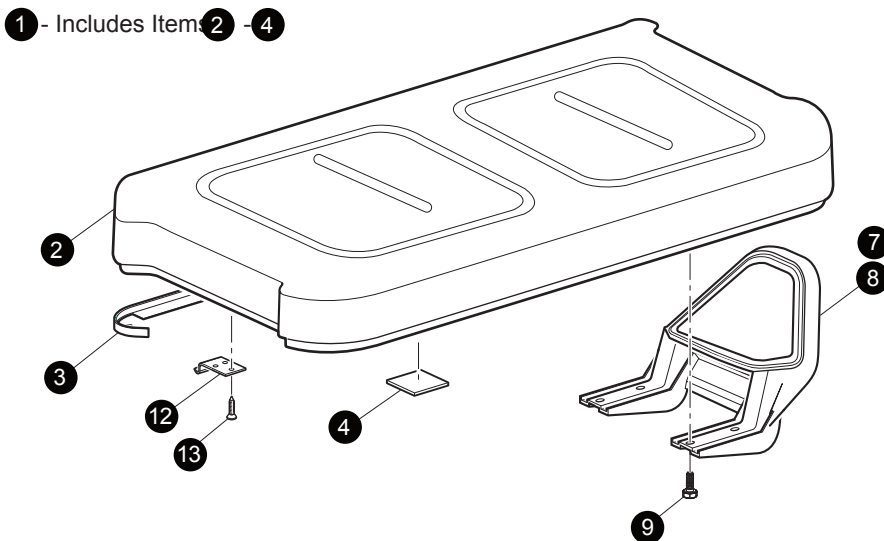
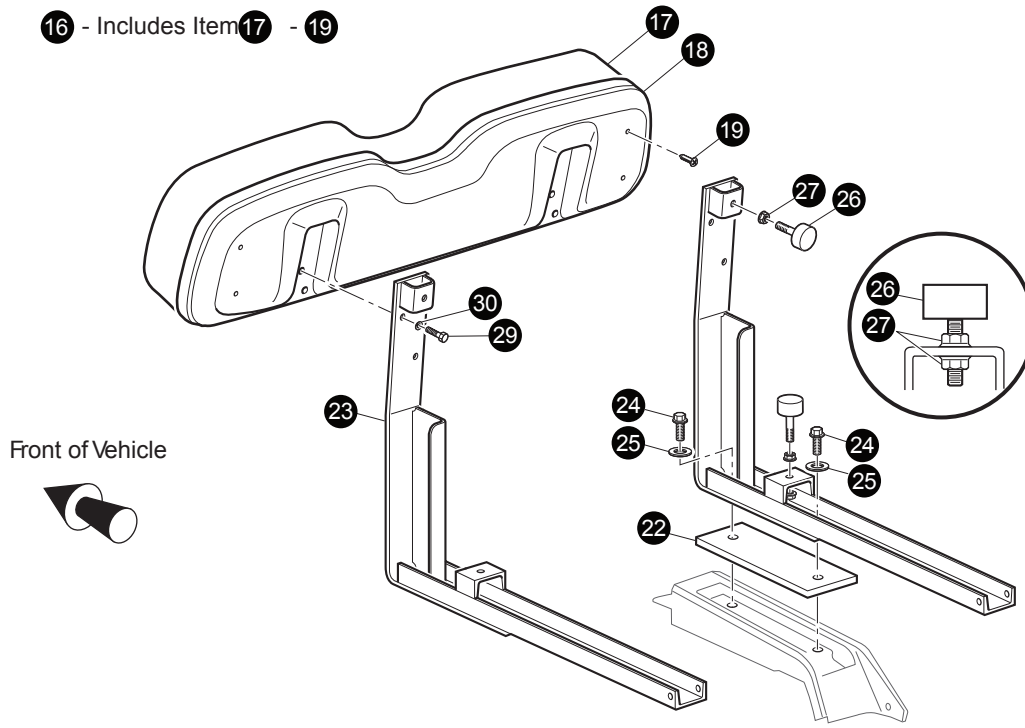
When ordering parts, please specify the model and serial number of the product.

* Indicates a component that is not available as an individual part.

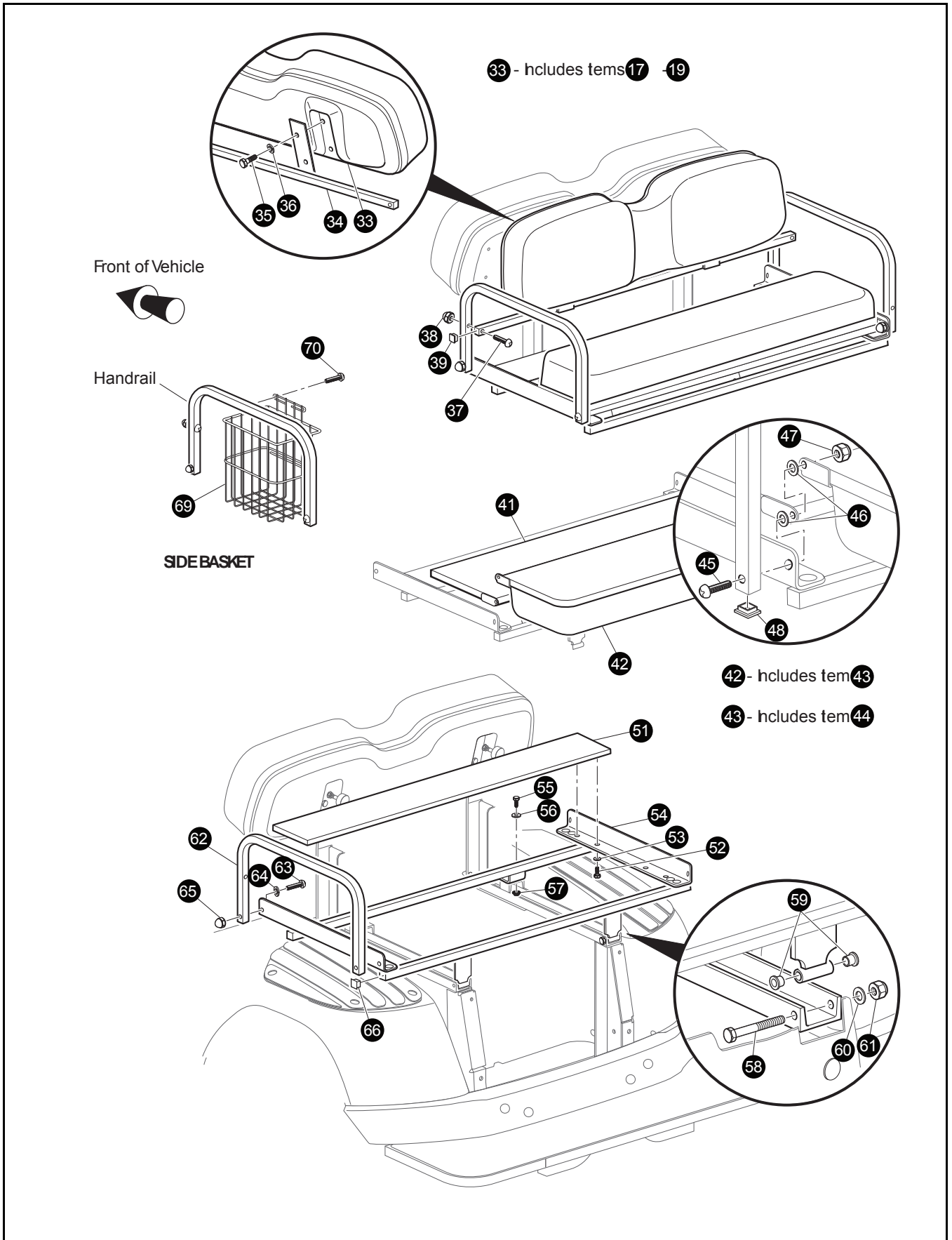
G** Indicates consult Customer Service Department for additional information.

ITEM	PART NO.	1 2 3 4 5	DESCRIPTION	QTY.
1	<u>76418G01</u>		SHOCK ABSORBER.....	2
2	<u>10435G1</u>		SHOCK ABSORBER WASHER.....	8
3	<u>10194G1</u>		RUBBER BUSHING.....	8
4	<u>00532G6</u>		HEX JAM NUT, 3/8" - 24.....	4
5				
6	634528		REAR LEAF SPRINGS (REPLACE LEFT & RIGHT SPRINGS SIMULTANEOUSLY).....	2
7	<u>74207G03</u>		LEAF SPRING, 4 LEAF.....	2
8	<u>72618G01</u>		'U' BOLT, 3/8" - 16 X 2" X 2 1/2" LG.....	4
9	<u>00560G1</u>		FLAT WASHER, 3/8".....	8
10	<u>11098G5</u>		LOCK NUT, 3/8" - 16.....	8
11				
12	<u>70289G02</u>		SPLIT STEEL SPACER.....	4
13	<u>624030</u>		FLANGED BUSHING.....	12
14	<u>70290G02</u>		SHACKLE PLATE.....	4
15	<u>00665G9</u>		HEX HEAD BOLT (SS), 3/8" - 16 X 3 1/2" LG.....	4
16	<u>11098G5</u>		LOCK NUT, 3/8" - 16.....	4
17				
18	<u>14158G1</u>		SHOULDER BOLT, 3/8" - 16 X 3 1/4" LG.....	2
19	<u>12262G1</u>		LOCK NUT, 3/8" - 16.....	2

SEATING - CONVERTIBLE CARRIER



SEATING - CONVERTIBLE CARRIER



SEATING - CONVERTIBLE CARRIER

Where applicable, THE USE OF NON UL PARTS WILL VOID ANY UL LISTING.

When ordering parts, please specify the model and serial number of the product.

* Indicates a component that is not available as an individual part.

G** Indicates consult Customer Service Department for additional information.

ITEM	PART NO.	1 2 3 4 5	DESCRIPTION	QTY.
1	71611G**		SEAT BOTTOM ASSEMBLY (INCLUDES ITEMS 2 - 4)	1
2	71602G**		VINYL SEAT BOTTOM COVER	1
3	<u>71012G01</u>		VINYL TRIM (SEAT BOTTOM)	1
4	<u>17074G1</u>		RUBBER PAD	2
5				
6				
7	<u>71701G01</u>		HIP RESTRAINT (PASSENGER SIDE)	1
8	<u>71702G01</u>		HIP RESTRAINT (DRIVER SIDE)	1
9	71204G01		BOLT, 1/4 - 20 X 7/8" LG	8
10				
11				
12	<u>71610G01</u>		SEAT HINGE	2
13	<u>00720G08</u>		SCREW, #12 - 14 X 1" LG (STAINLESS STEEL)	4
14				
15				
16	71751G**		SEAT BACK ASSEMBLY (INCLUDES ITEMS 17 - 19)	1
17	71753G**		VINYL SEAT BACK COVER	1
18	71752G01		PLASTIC SEAT BACK COVER	1
19	<u>01107G01</u>		SCREW, #8 X 5/8" LG (STAINLESS STEEL)	4
20				
21				
22	<u>70364G01</u>		SPACER	2
23	<u>74111G01</u>		SEAT BACK SUPPORT	2
24	<u>01006G02</u>		BOLT, 3/8 - 16 X 1 1/2" LG	4
25	<u>00560G1</u>		WASHER, 3/8"	4
26	<u>70113G01</u>		ADJUSTABLE BUMPER	2
27	<u>11027G1</u>		LOCK NUT, 5/16 - 18	2
28				
29	<u>00661G8</u>		BOLT, 1/4 - 20 X 1" LG (STAINLESS STEEL)	4
30	<u>00664G7</u>		LOCK WASHER, 1/4" (STAINLESS STEEL)	4

SEATING - CONVERTIBLE CARRIER

Where applicable, THE USE OF NON UL PARTS WILL VOID ANY UL LISTING.

When ordering parts, please specify the model and serial number of the product.

* Indicates a component that is not available as an individual part.

G** Indicates consult Customer Service Department for additional information.

ITEM	PART NO.	1 2 3 4 5	DESCRIPTION	QTY.
31				
32				
33	71751G**		SEAT BACK ASSEMBLY (INCLUDES ITEMS 17 - 19).....	1
34	<u>75258G01</u>		SEAT BACK SUPPORT	1
35	<u>00661G8</u>		BOLT, 1/4 - 20 X 0.75" LG (STAINLESS STEEL).....	4
36	<u>00664G7</u>		LOCK WASHER, 1/4" (STAINLESS STEEL)	4
37	<u>16705G6</u>		SCREW, 1/4 - 20 X 1 3/4" LG (STAINLESS STEEL)	2
38	<u>00520G1</u>		ACORN NUT, 1/4 - 20 (STAINLESS STEEL).....	2
39	<u>75261G01</u>		CAP-TUBE - 3/4 X 11 GA.....	2
40				
41	<u>71062G01</u>		BED	1
42	71063G**		SEAT BOTTOM ASSEMBLY (INCLUDES ITEM 43).....	1
43	75197G**		SEAT BOTTOM (INCLUDES ITEM 44)	1
44	75252G**		VINYL SEAT BOTTOM COVER.....	1
45	<u>00762G6</u>		SCREW, 5/16 - 18 X 1 1/4" LG (STAINLESS STEEL)	2
46	<u>17255G1</u>		WASHER, LK - SS - 5/16"	4
47	<u>00891G3</u>		NUT - ACCORN - SS - 5/16 - 18	2
48	<u>19859G1</u>		CAP-TUBE - 3/4 X 11 GA.....	4
49				
50				
51	<u>71060G01</u>		BED FRONT (INCLUDES MAT).....	1
52	<u>00661G6</u>		BOLT, 1/4 - 20 X 3/4" LG (STAINLESS STEEL).....	4
53	00559G8		WASHER - LK - SP - SS - 1/4"	4
54	<u>75193G01</u>		SUPPORT FRAME.....	1
55	<u>00438G8</u>		BOLT, 5/16 - 18 X 1" LG	2
56	00559G8		WASHER, 5/16"	2
57	<u>11027G1</u>		LOCK NUT, 5/16 - 18	2
58	00272G4		BOLT, 5/16 - 18 X 2 1/2" LG	2
59	<u>17838G1</u>		NYLON BUSHING.....	4
60	00559G8		WASHER, 5/16"	2

SEATING - CONVERTIBLE CARRIER

Where applicable, THE USE OF NON UL PARTS WILL VOID ANY UL LISTING.

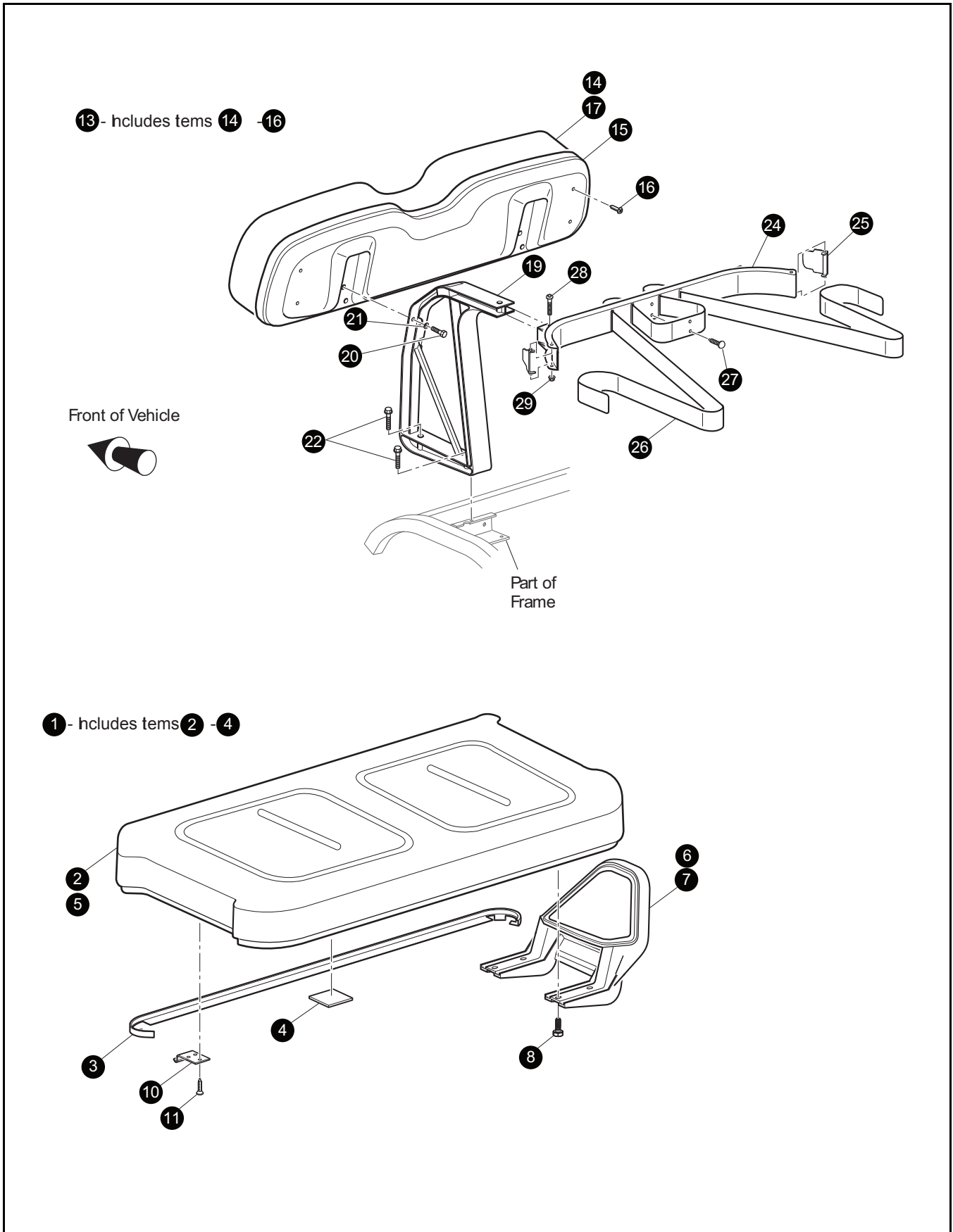
When ordering parts, please specify the model and serial number of the product.

* Indicates a component that is not available as an individual part.

G** Indicates consult Customer Service Department for additional information.

ITEM	PART NO.	1 2 3 4 5	DESCRIPTION	QTY.
61	11098G6		LOCK NUT, 5/16 - 18 (STAINLESS STEEL)	2
62	<u>75196G01</u>		HANDRAIL	2
63	<u>00762G2</u>		SCREW, 5/16 - 18 X 1 1/4" LG (STAINLESS STEEL)	2
64	<u>00664G8</u>		LOCK WASHER, 5/16" (STAINLESS STEEL)	2
65	<u>00520G3</u>		ACORN NUT, 5/16 - 18 (STAINLESS STEEL)	2
66	<u>75261G02</u>		END CAP, 1"	4
67				
68				
69	75007G02		SIDE BASKET (BLACK).....	2
70	<u>00106G6</u>		SELF THREADING SCREW, #12 - 24 X 3/4" LG	4

SEATING AND BAG HOLDER - GOLF CAR



SEATING AND BAG HOLDER - GOLF CAR

Where applicable, THE USE OF NON UL PARTS WILL VOID ANY UL LISTING.

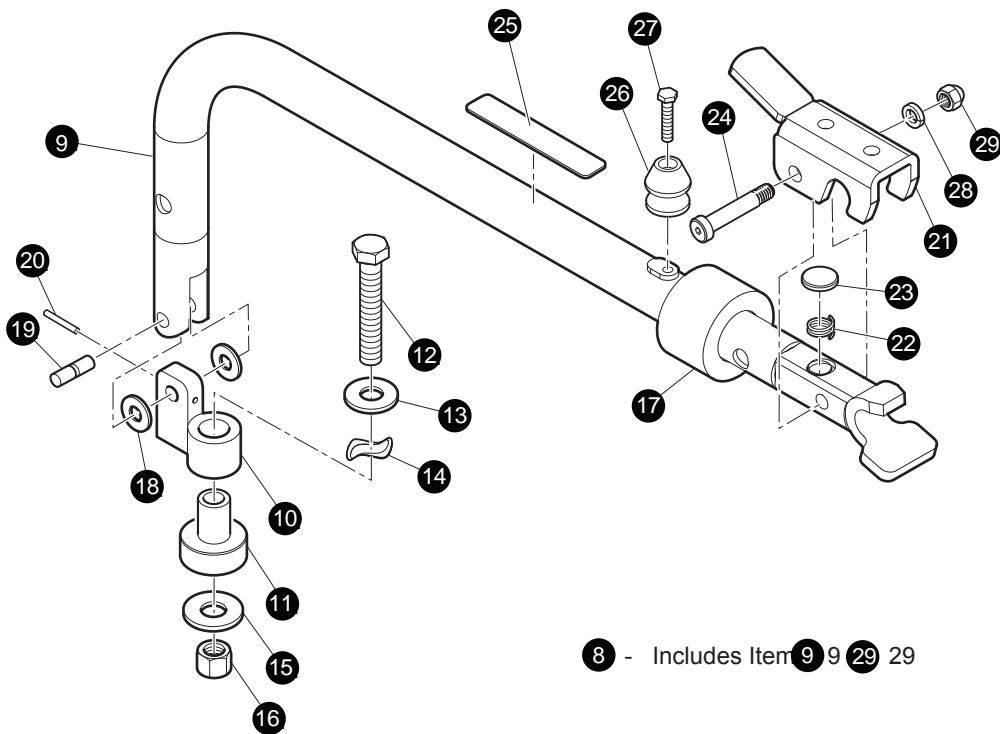
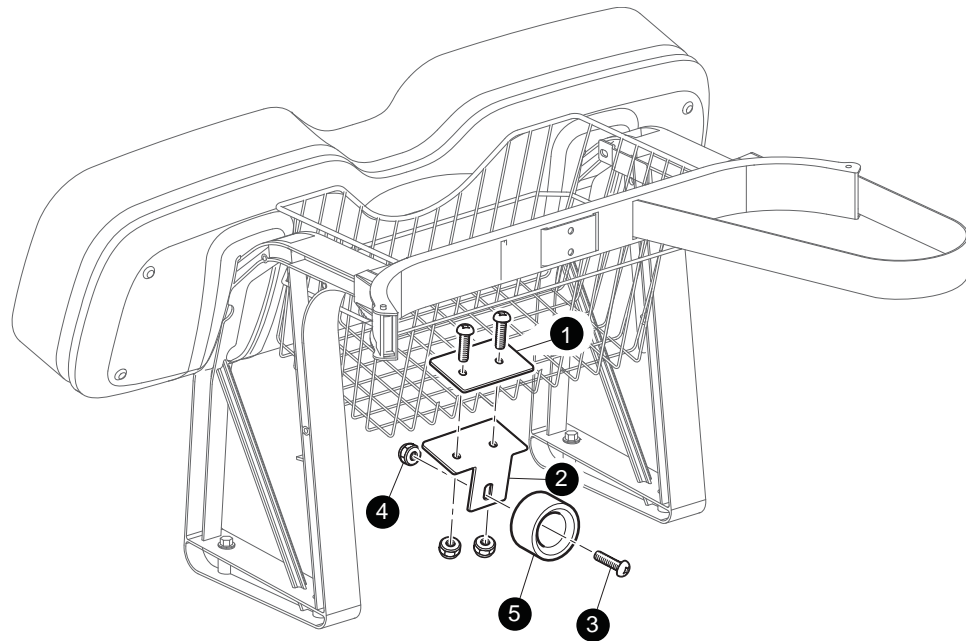
When ordering parts, please specify the model and serial number of the product.

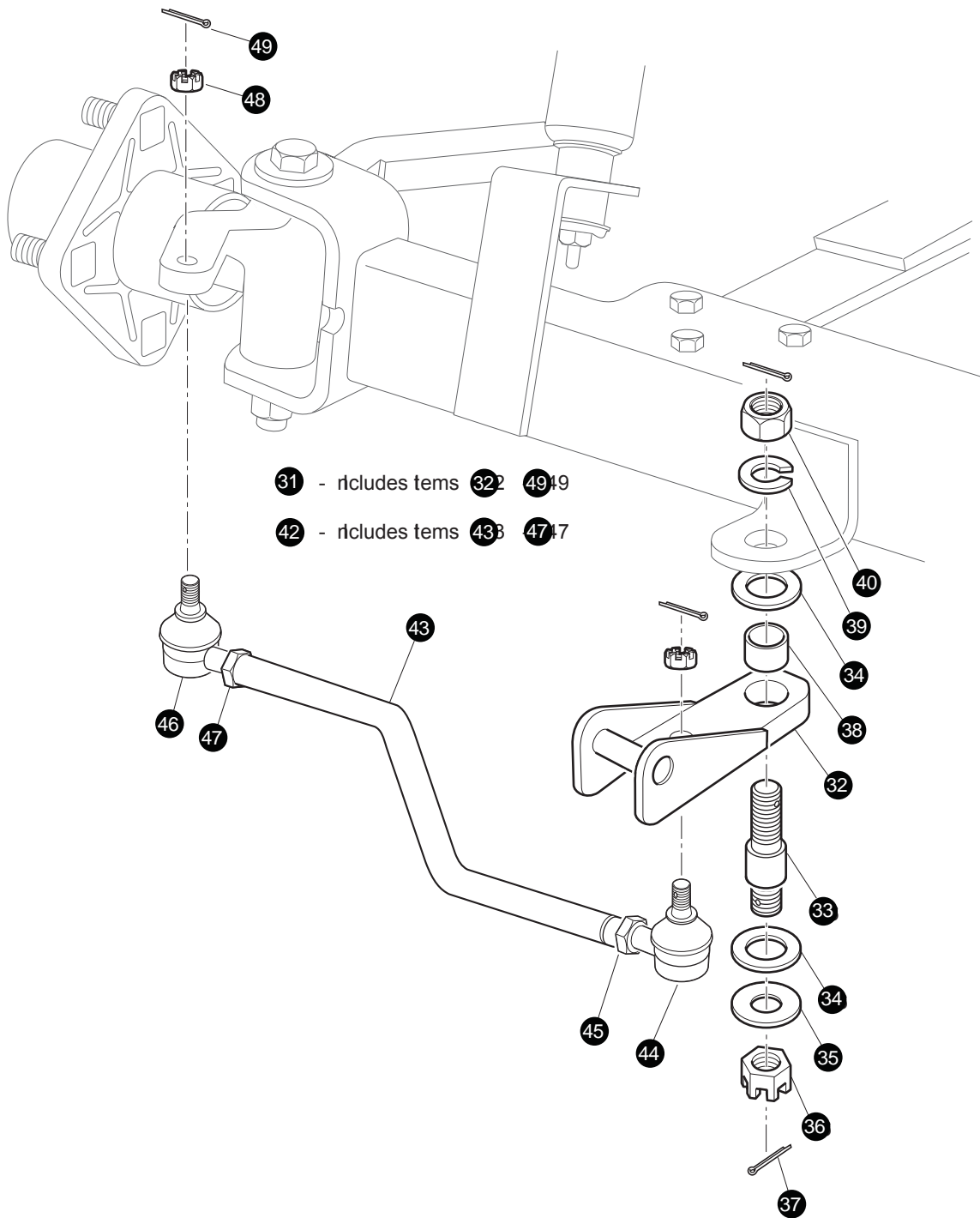
* Indicates a component that is not available as an individual part.

G** Indicates consult Customer Service Department for additional information.

ITEM	PART NO.	1 2 3 4 5	DESCRIPTION	QTY.
1	71611G**		SEAT BOTTOM ASSEMBLY (INCLUDES ITEMS 2 - 4)	1
2	71602G**		VINYL SEAT BOTTOM COVER	1
3	71012G01		VINYL TRIM (SEAT BOTTOM)	1
4	17074G1		RUBBER PAD	2
5	604912G**		TWO TONE VINYL SEAT BOTTOM	1
6	71701G01		HIP RESTRAINT (PASSENGER SIDE)	1
7	71702G01		HIP RESTRAINT (DRIVER SIDE)	1
8	71204G01		BOLT, 1/4 - 20 X 7/8" LG	8
9				
10	71610G01		SEAT HINGE	2
11	00720G08		SCREW, #12 - 14 X 1" LG (STAINLESS STEEL)	4
12				
13	71751G**		SEAT BACK ASSEMBLY (INCLUDES ITEMS 14 - 16)	1
14	71753G**		VINYL SEAT BACK COVER	1
15	71752G01		PLASTIC SEAT BACK COVER	1
16	01107G01		SCREW, #8 X 5/8" LG (STAINLESS STEEL)	4
17	604916G**		TWO TONE VINYL SEAT BACK	1
18				
19	71811G03		SEAT SUPPORT BRACKET	2
20	00661G8		BOLT, 1/4 - 20 X 1" LG (STAINLESS STEEL)	4
21	00664G7		LOCK WASHER, 1/4" (STAINLESS STEEL)	4
22	01075G01		SCREW, 3/8 - 16 X 2 1/2" LG	4
23				
24	610642		BAG HOLDER BRACKET	1
25	71856G01		BAG RETAINER CLAMP	2
26	71853G01		BAG RETAINER STRAP	1
27	16816G1		RATCHET FASTENER, 1/4" X 9/16" LG	2
28	01102G01		CARRIAGE BOLT, 1/4 - 20 X 1 1/2" LG (STAINLESS STEEL)	2
29	11027G2		LOCK NUT, 1/4 - 20	2

TOW BAR - PERMANENT





TOW BAR - PERMANENT

Where applicable, THE USE OF NON UL PARTS WILL VOID ANY UL LISTING.

When ordering parts, please specify the model and serial number of the product.

* Indicates a component that is not available as an individual part.

G** Indicates consult Customer Service Department for additional information.

ITEM	PART NO.	1 2 3 4 5	DESCRIPTION	QTY.
1	<u>75318G01</u>		MOUNTING PLATE.....	1
2	<u>75319G01</u>		STOP MOUNT PLATE	1
3	<u>16705G1</u>		SCREW, 1/4 - 20 X 1" LG (STAINLESS STEEL)	3
4	<u>14390G4</u>		LOCK NUT, 1/4 - 20 (STAINLESS STEEL)	3
5	<u>75338G02</u>		FEMALE STOP	1
6				
7				
8	<u>75304G01</u>		TOW BAR ASSEMBLY (TOWING VEHICLE) (INCLUDES ITEMS 9 - 29)	1
9	<u>75299G01</u>		TOW BAR	1
10	<u>75302G01</u>		UPPER PIVOT	1
11	<u>75291G01</u>		LOWER PIVOT	1
12	<u>00410G8</u>		BOLT, 1/2 - 20 X 3" LG.....	1
13	<u>00675G3</u>		WASHER, 1/2" (STAINLESS STEEL).....	1
14	<u>75339G01</u>		SPRING WASHER	1
15	<u>00571G5</u>		WASHER, 1/2"	1
16	<u>11098G8</u>		LOCK NUT, 1/2 - 20.....	1
17	<u>75362G01</u>		LATCH STOP.....	1
18	<u>75340G01</u>		WASHER, 3/8"	2
19	<u>75360G01</u>		PIVOT PIN	1
20	<u>13571G7</u>		SPRING PIN	1
21	<u>617147</u>		TOW BAR LATCH.....	1
22	<u>20852G2</u>		COMPRESSION SPRING	1
23	<u>25661G02</u>		CUP WASHER.....	1
24	<u>13005G4</u>		SHOULDER BOLT, 5/16 - 18 X 2" LG.....	1
25	<u>75370G01</u>		LABEL (WARNING)	1
26	<u>75338G03</u>		MALE STOP	1
27	<u>12547G4</u>		BOLT, 6MM X 1 X 30 MM LG.....	1
28	<u>00565G8</u>		LOCK WASHER, 5/16"	1
29	<u>00520G3</u>		ACORN NUT, 5/16 - 18 (STAINLESS STEEL)	1
30				

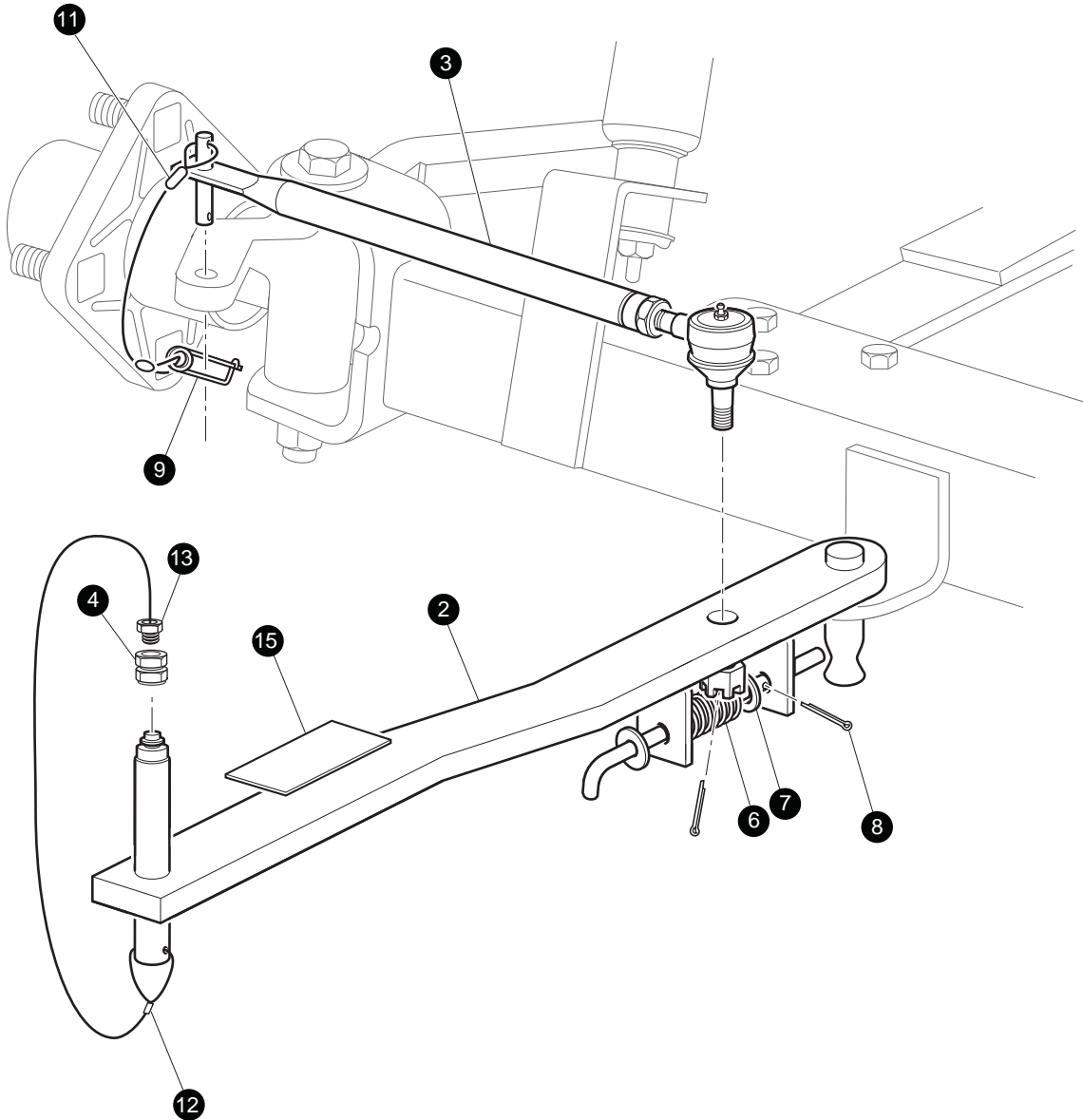
TOW BAR - PERMANENT

Where applicable, THE USE OF NON UL PARTS WILL VOID ANY UL LISTING.
 When ordering parts, please specify the model and serial number of the product.
 * Indicates a component that is not available as an individual part.
 G** Indicates consult Customer Service Department for additional information.

ITEM	PART NO.	1 2 3 4 5	DESCRIPTION	QTY.
31	<u>75308G01</u>		TOW BAR HITCH ASSEMBLY (TOWED VEHICLE) (INCLUDES ITEMS 32 - 49).....	1
32	<u>75305G01</u>		HITCH	1
33	<u>75292G01</u>		PIVOT BOLT	1
34	<u>75309G01</u>		THRUST WASHER.....	2
35	<u>75342G01</u>		WASHER, 3/4"	1
36	<u>00518G8</u>		CASTELLATED NUT, 3/4 - 16	1
37	<u>10387G1</u>		COTTER PIN, 1/8" X 1 1/2" LG	2
38	<u>75307G01</u>		BEARING.....	1
39	<u>00566G6</u>		LOCK WASHER, 3/4"	1
40	<u>00533G8</u>		NUT, 3/4 - 16.....	1
41				
42	<u>602981</u>		TIE ROD ASSEMBLY (INCLUDES ITEMS 43 - 47)	1
43	<u>603089</u>		THREADED ROD.....	1
44	<u>27205G01</u>		TIE ROD END (LEFT HAND THREADS).....	1
45	<u>18434G3</u>		JAM NUT, M12 X 1.25-05 (LEFT HAND THREADS).....	1
46	<u>27205G02</u>		TIE ROD END (RIGHT HAND THREADS)	1
47	<u>18434G4</u>		JAM NUT, M12 X 1.25-05 (RIGHT HAND THREADS).....	1
48	<u>50209G2</u>		CASTELLATED NUT, 7/16 - 20	2
49	<u>10387G2</u>		COTTER PIN, 3/32" X 1" LG	2

TOW BAR - CASUAL

① - Includes Item ② 2 ①5 15

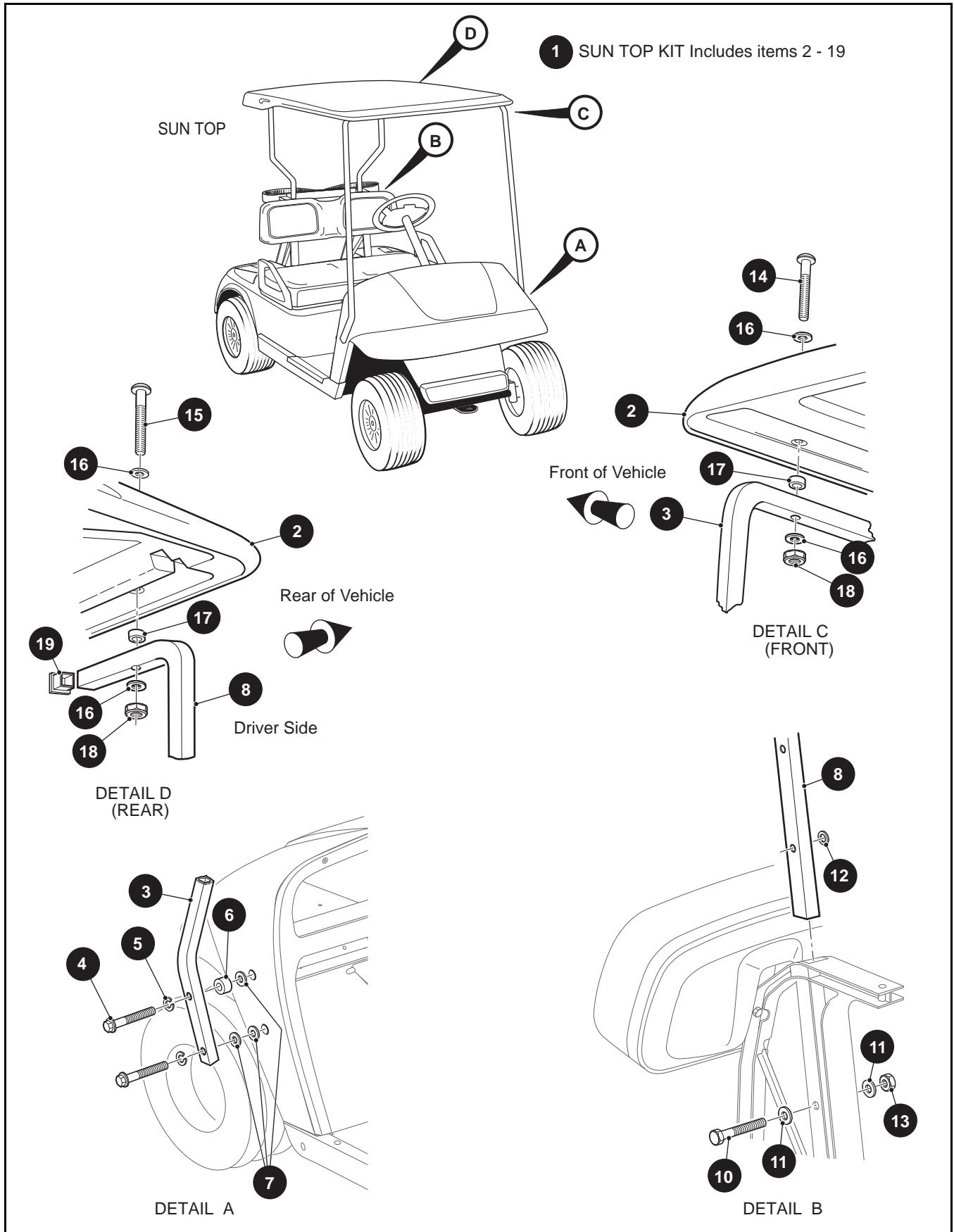


TOWBAR - CASUAL

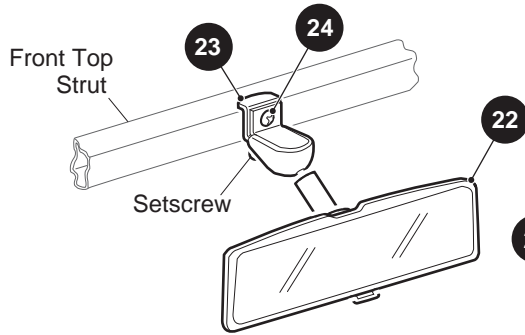
Where applicable, THE USE OF NON UL PARTS WILL VOID ANY UL LISTING.
 When ordering parts, please specify the model and serial number of the product.
 * Indicates a component that is not available as an individual part.
 G** Indicates consult Customer Service Department for additional information.

ITEM	PART NO.	1 2 3 4 5	DESCRIPTION	QTY.
1	<u>75033G01</u>		CASUAL TOW BAR (INCLUDES ITEMS 2 - 15).....	1
2	*		TOW BAR	1
3	<u>75034G01</u>		TIE ROD (INCLUDES NUT AND COTTER PIN).....	1
4	<u>75060G01</u>		COUPLING	1
5				
6	<u>75065G01</u>		COMPRESSION SPRING	1
7	<u>00922G2</u>		WASHER, 3/8"	1
8	<u>10387G2</u>		COTTER PIN, 3/32" X 1" LG	1
9	<u>75068G01</u>		SAFETY PIN	1
10				
11	<u>16783G1</u>		FERRULE	3
12	<u>75067G01</u>		FERRULE	1
13	<u>75035G02</u>		HEX HEAD PLUG.....	1
14				
15	<u>75091G01</u>		LABEL (WARNING).....	1

WEATHER PROTECTION - GOLF CAR

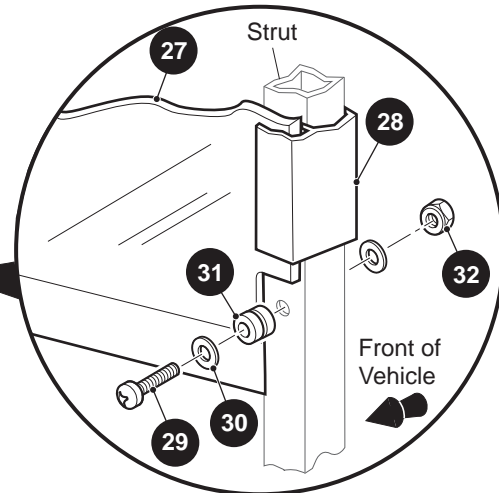
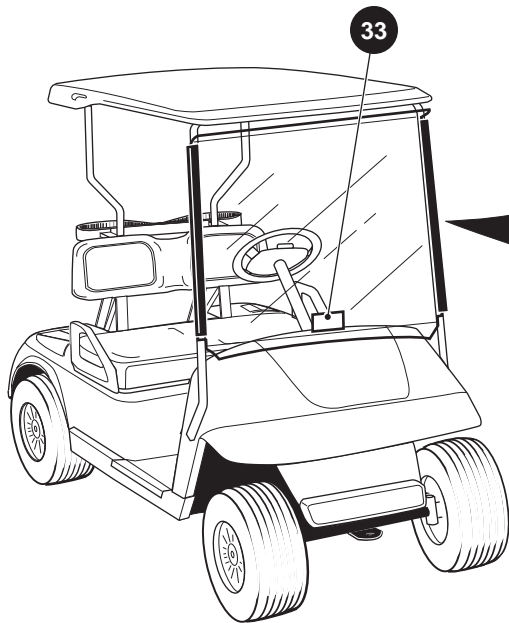


WEATHER PROTECTION - GOLF CAR



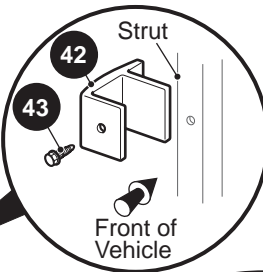
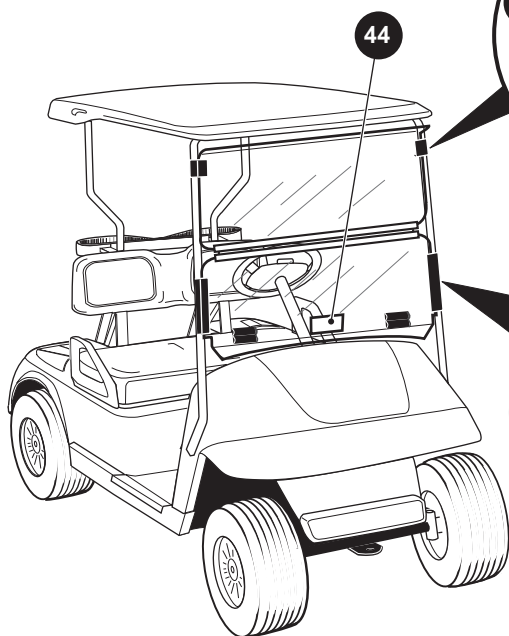
REAR VIEW MIRROR

REAR VIEW MIRROR KIT Includes Items 22 - 24



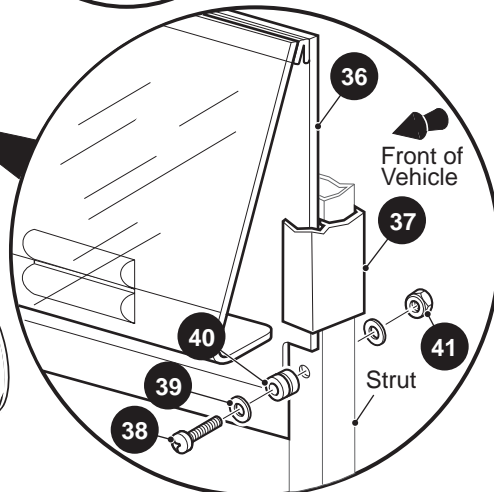
FULL WINDSHIELD

26 WINDSHIELD KIT Includes Items 27 - 33



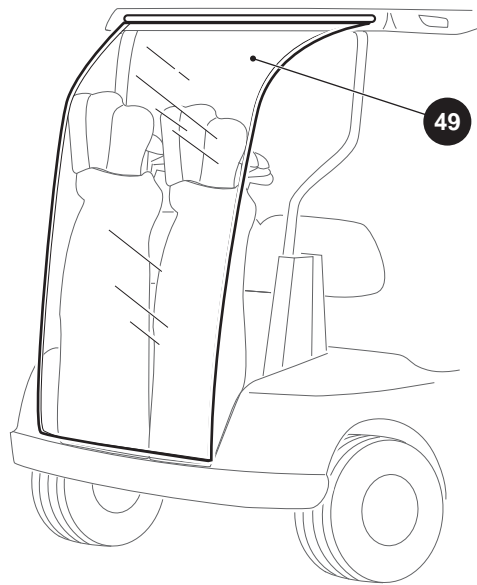
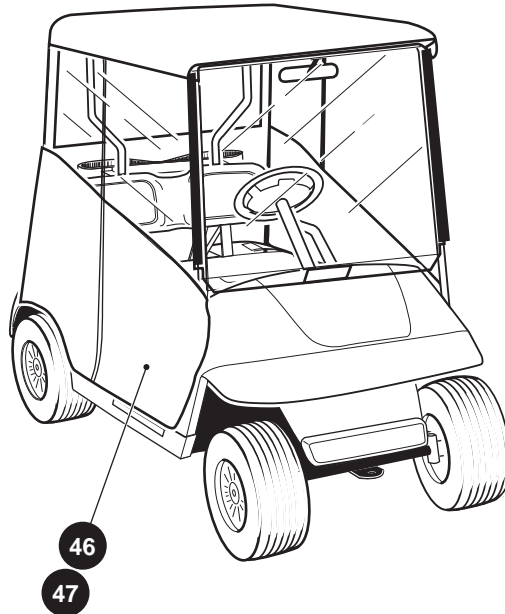
FOLD DOWN WINDSHIELD

35 FOLD DOWN WINDSHIELD KIT Includes Items 36 - 44

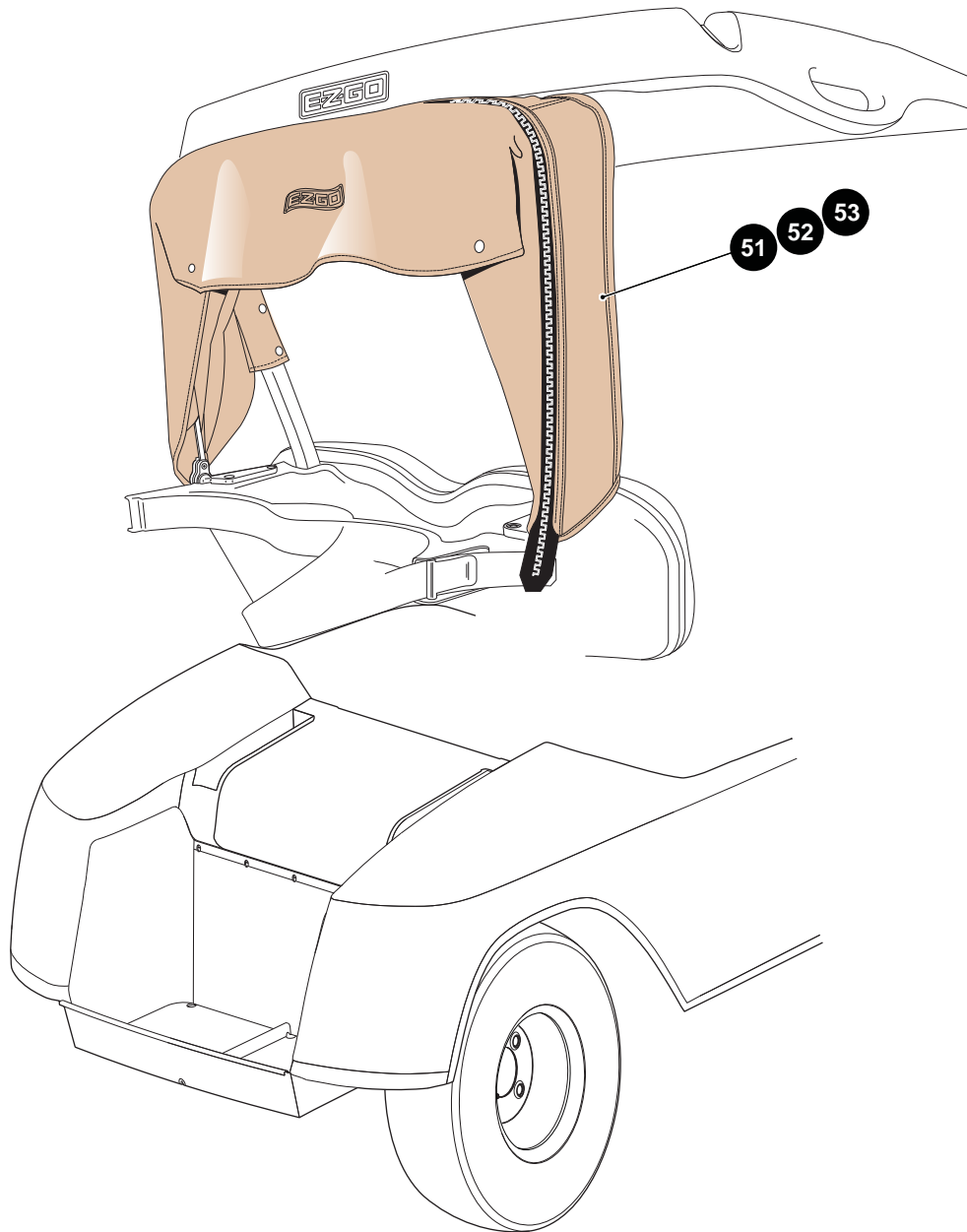


WEATHER PROTECTION - GOLF CAR

WEATHER ENCLOSURE



BAG AND RAIN CURTAIN



WEATHER PROTECTION - GOLF CAR

Where applicable, THE USE OF NON UL PARTS WILL VOID ANY UL LISTING.

When ordering parts, please specify the model and serial number of the product.

* Indicates a component that is not available as an individual part.

G** Indicates consult Customer Service Department for additional information.

ITEM	PART NO.	1 2 3 4 5	DESCRIPTION	QTY.
1	75040G**		SUN TOP KIT (GOLF CAR) (INCLUDES ITEMS 2 - 19)	1
2	27069G**		SUN TOP	1
3	<u>75045G05</u>		FRONT STRUT	1
4	<u>00440G2</u>		SCREW - CAP - 5/16 - 18 X 2 1/4"	4
5	00559G8		FLAT WASHER - 5/16" FL - B - CP	4
6	<u>75048G01</u>		SPACER, 1/2"	2
7	<u>00570G2</u>		FLAT WASHER, 5/16"	6
8	75046G02		REAR STRUT	2
9				
10	<u>00685G7</u>		STAINLESS STEEL BOLT, 5/16 - 18 X 1 3/4" LG	4
11	<u>01110G03</u>		STAINLESS STEEL FLAT WASHER, 5/16"	8
12	<u>17255G1</u>		TEFLON WASHER, 5/16"	4
13	<u>01109G01</u>		STAINLESS STEEL LOCK NUT, 5/16 - 18	4
14	<u>00753G5</u>		STAINLESS STEEL SCREW, 1/4 - 20 X 2" LG	2
15	00753G6		STAINLESS STEEL SCREW, 1/4 - 20 X 2 1/4" LG	2
16	<u>01110G01</u>		STAINLESS STEEL FLAT WASHER, 1/4"	8
17	<u>75051G01</u>		PLASTIC SPACER 1/2"	4
18	<u>00654G2</u>		STAINLESS STEEL LOCK NUT, 1/4 - 20	4
19	<u>19853G1</u>		END CAP, 1"	2
20				
21	<u>19528G2</u>		REAR VIEW MIRROR KIT (INCLUDES ITEMS 22 - 24)	1
22	<u>19496G1</u>		REAR VIEW MIRROR	1
23	<u>19502G3</u>		SUPPORT BRACKET	1
24	<u>19527G1</u>		STAINLESS STEEL SCREW, #8 - 32 X 5/8" LG	1
25				
26	<u>75524G01</u>		WINDSHIELD KIT (GOLF CAR) (INCLUDES ITEMS 27 - 33)	1
27	*		WINDSHIELD	1
28	EGWHC12		SASH, 26" LG	2
29	EGWHS12		STAINLESS STEEL SCREW, 1/4 - 20 X 1 3/4" LG	2
30	EGWHW12		STAINLESS STEEL FLAT WASHER, 1/4"	4

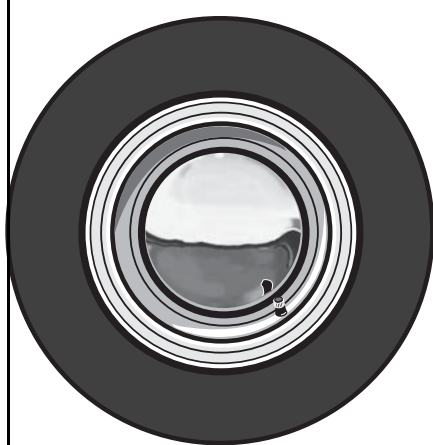
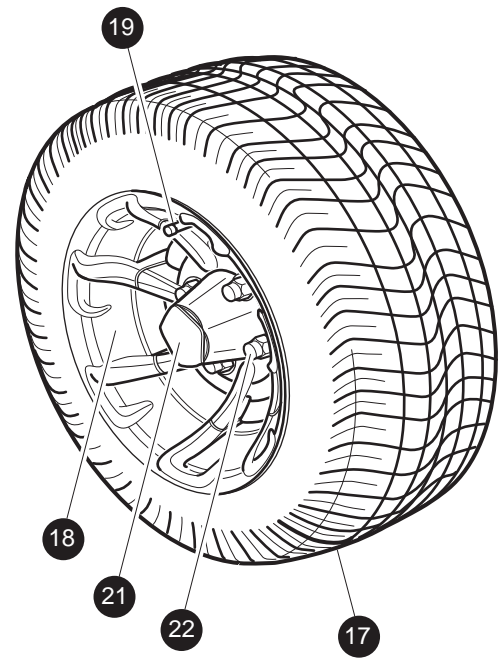
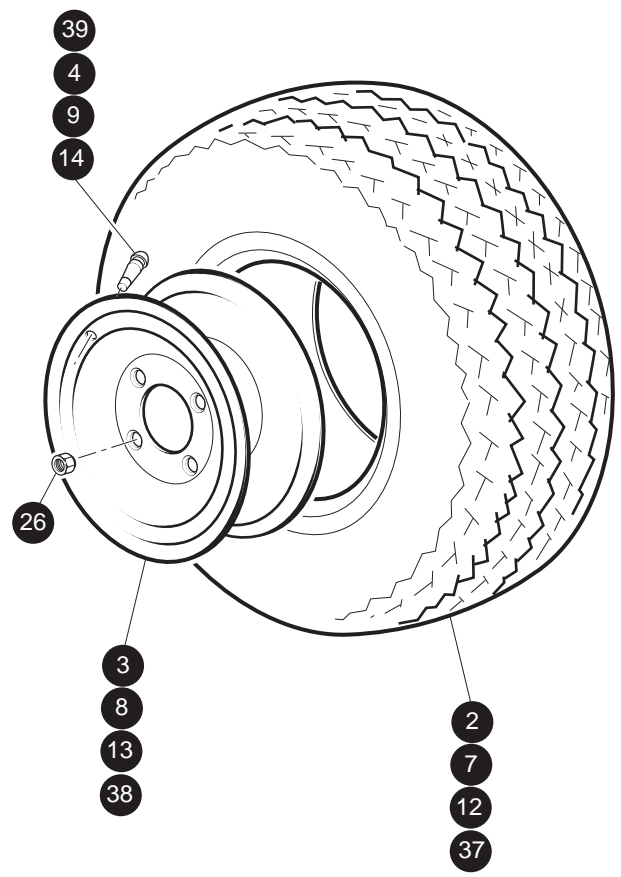
WEATHER PROTECTION - GOLF CAR

Where applicable, THE USE OF NON UL PARTS WILL VOID ANY UL LISTING.
 When ordering parts, please specify the model and serial number of the product.
 * Indicates a component that is not available as an individual part.
 G** Indicates consult Customer Service Department for additional information.

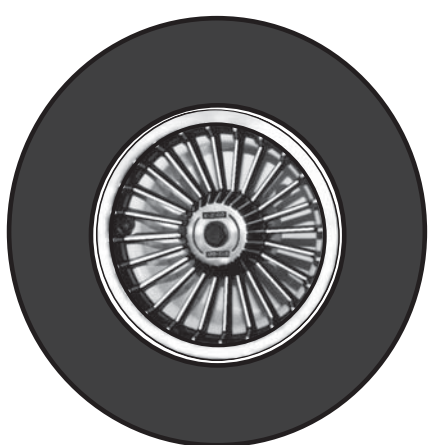
ITEM	PART NO.	1	2	3	4	5	DESCRIPTION	QTY.
31	EGWHG13						RUBBER GROMMET	2
32	EGWHN12						STAINLESS STEEL LOCK NUT, 1/4 - 20	2
33	EGWHL14						SAFETY LABEL	1
34								
35	75077G01						FOLD DOWN WINDSHIELD KIT (GOLF CAR) (INCLUDES ITEMS 36 - 44).....	1
36	*						WINDSHIELD	1
37	EGWHC10						SASH, 12" LG	2
38	EGWHS12						STAINLESS STEEL SCREW, 1/4 - 20 X 1 3/4" LG	2
39	EGWHW12						STAINLESS STEEL FLAT WASHER, 1/4"	4
40	EGWHG13						RUBBER GROMMET	2
41	EGWHN12						STAINLESS STEEL LOCK NUT, 1/4 - 20	2
42	137-010						TOP GRIP, 3/4" X 2"	2
43	136-008						TOP GRIP FASTENER	2
44	EGWHL14						SAFETY LABEL	1
45								
46	<u>75078G01</u>						WEATHER ENCLOSURE (3 SIDED) RECOMMENDED FOR VEHICLES WITH WINDSHIELDS	1
47	<u>75079G01</u>						WEATHER ENCLOSURE (4 SIDED) RECOMMENDED FOR VEHICLES WITHOUT WINDSHIELDS	1
48								
49	<u>75191G01</u>						BAG COVER AND RAIN CURTAIN KIT	1
50								
51	<u>625581</u>						BAG COVER KIT, OYSTER	1
52	<u>625583</u>						BAG COVER KIT, TAN	1
53	<u>625585</u>						BAG COVER KIT, GREEN	1
For service or replacement windshield parts, contact: Eagle Parts, Inc. 1411 Marvin Griffin Rd. Augusta, GA 30906 Telephone (706) 790-6687 or FAX (706) 790-6066								

WHEELS AND TIRES

- 1 Includes Items 2 - 4
- 6 Includes Items 7 - 9
- 11 Includes Items 12 - 14
- 16 Includes Items 17 - 19
- 36 Includes Items 37 - 39



6" CHROME HUBCAP
28



SILVER / GOLD SPOKE HUBCAP
32 34

WHEELS AND TIRES

Where applicable, THE USE OF NON UL PARTS WILL VOID ANY UL LISTING.
 When ordering parts, please specify the model and serial number of the product.
 * Indicates a component that is not available as an individual part.
 G** Indicates consult Customer Service Department for additional information.

ITEM	PART NO.	1 2 3 4 5	DESCRIPTION	QTY.
1	<u>612772</u>		TIRE AND WHEEL ASSEMBLY (KENDA HOLE--HOLE 18 X 8.5 - 8) (INCLUDES ITEMS 2 - 4).....	1
2	<u>612771</u>		TIRE (KENDA 18 X 8.5 - 8)	1
3	<u>612770</u>		KENDA WHEEL (Kenda wheels are marked with "M").....	1
4	<u>11657G2</u>		VALVE STEM.....	1
5				
6	<u>28757G03</u>		WHEEL AND TIRE ASSEMBLY (TURF SAVER 18 X 8.5 - 8) (INCLUDES ITEMS 7 - 9).....	1
7	<u>28764G03</u>		TIRE (TURF-SAVER 18 X 8.5 - 8)	1
8	<u>28759G01</u>		WHEEL RIM (4 LUG).....	1
9	<u>11657G2</u>		VALVE STEM.....	1
10				
11	<u>28842G01</u>		WHEEL AND TIRE ASSEMBLY (SURE TRAIL 6-PLY 18.5 X 8.5 - 8) (INCLUDES ITEMS 12 - 14).....	1
12	<u>28764G08</u>		TIRE (SURE TRAIL 18.5 X 8.5 - 8).....	1
13	<u>28759G01</u>		WHEEL RIM (4 LUG).....	1
14	<u>11657G2</u>		VALVE STEM.....	1
15				
16	<u>600599</u>		WHEEL AND TIRE ASSEMBLY (ALLOY WHEEL)	1
17	<u>601768</u>		TIRE (TOUR MAX 205 X 50 - 10).....	1
18	<u>601766</u>		WHEEL ALLOY RIM.....	1
19	<u>601767</u>		VALVE STEM.....	1
20				
21	<u>601353</u>		WHEEL ALLOY CAP.....	1
22	<u>605310</u>		WHEEL ALLOY LUG NUT	4
23				
24				
25				
26	<u>14723G1</u>		LUG NUT, 1/2 - 20.....	16
27				
28	<u>608604</u>		6" CHROME HUBCAP	4

WHEELS AND TIRES

Where applicable, THE USE OF NON UL PARTS WILL VOID ANY UL LISTING.

When ordering parts, please specify the model and serial number of the product.

* Indicates a component that is not available as an individual part.

G** Indicates consult Customer Service Department for additional information.

ITEM	PART NO.	1 2 3 4 5	DESCRIPTION	QTY.
29				
30				
31				
32	<u>19241G2</u>		GOLD SPOKE HUBCAP.....	4
33				
34	<u>19241G1</u>		SILVER SPOKE HUBCAP.....	4
35				
36	<u>28757G01</u>		WHEEL AND TIRE ASSEMBLY (LINKS 18 X 8.5 - 8) (INCLUDES ITEMS 37 - 39).....	1
37	<u>28764G01</u>		TIRE (LINKS 18 X 8.5 - 8)	1
38	<u>28759G01</u>		WHEEL RIM (4 LUG).....	1
39	<u>11657G2</u>		VALVE STEM.....	1

SPECIALTY PRODUCTS

SPECIALTY PRODUCTS

SPECIAL TOOLS	PART NO.
BATTERY MAINTENANCE KIT	25587G01
SEAL INSTALLATION TOOL (REAR AXLE SHAFT SEAL)	18739G1
CURRENT INDICATOR	16489G2
DIGITAL MULTI-METER	27481G01
CRIMPING TOOL	27765G01
TUBELESS TIRE REPAIR KIT	606009
TIRE PLUGGER REFILL PACK	606831

TOUCH UP PAINT	PART NO.
PEN 3 OUNCE (89 ML) - HUNTER GREEN	28432G02
PEN 3 OUNCE (89 ML) - CHAMPAGNE BEIGE	28432G01
PEN 3 OUNCE (89 ML) - WHITE	28432G05
PEN 3 OUNCE (89 ML) - INDUSTRIAL YELLOW.....	28432G03
PEN 3 OUNCE (89 ML) - ORANGE	28432G04
PEN 3 OUNCE (89 ML) - STEEL BLUE PEARL	28432G**
PEN 3 OUNCE (89 ML) - CAMOUFLAGE PAINT (THREE PENS)	75831G01
AEROSOL 12 OUNCE (360 ML) - HUNTER GREEN	28140G09
AEROSOL 12 OUNCE (360 ML) - CHAMPAGNE BEIGE	28140G15
AEROSOL 12 OUNCE (360 ML) - INDUSTRIAL YELLOW.....	28140G14

MAINTENANCE PRODUCTS	PART NO.
PLEXUS® CLEANER, 13 OUNCE (380 ML) (FOR WINDSHIELDS)	28433G02
BATTERY PROTECTOR, 14 OUNCE (410 ML) SPRAY	27619G02
E-Z-GO ALL SURFACE CLEANER	606311
E-Z-GO FIBREGLASS/PLASTIC RESTORER	606313
WINDSHIELD AND PLASTIC PROTECTOR	606314
64 OZ HANDCLEANER.....	607636
4 OZ HAND CLEANER.....	607637

OPTIONS AND ACCESORIES

OPTIONS/ACCESSORIES

OPTIONS AND ACCESORIES

2 BAG ATTACHMENT	75183G01	Body
4 BAG ATTACHMENT	75335G01	Body
CHARGER INSTALLATION, 48V CALG5.5M CORD .624025		Charger
CHARGER INSTALLATION, C ALG 3M WORLD624027		Charger
CHARGER INSTALLATION, C ALG 5.5M WORLD . . .624029		Charger
SEAT INSTALLATION - GRAY	71600G03	Seating
SEAT INSTALLATION - TAN	71600G07	Seating
SEAT INSTALLATION - NON STANDARD COLOR . .71600G09		Seating
FRONT WHEEL INSTALLATION - USA TRAIL	27773G01	Wheels And Tires
8" CHROME HUBCAP	14913G*	Wheels And Tires
6" CHROME HUBCAP	16042G*	Wheels And Tires
GOLD SPOKE HUBCAP	19241G*	Wheels And Tires
SILVER SPOKE HUBCAP	19241G*	Wheels And Tires
ASHTRAY KIT	75109G02	Body
CENTER BASKET	75003G01	Body
COOLER JUG AND BRACKET KIT	75495G01	Body
COOLER BOX AND BRACKET KIT	71048G01	Body
DIVOT REPAIR KIT (BUCKET)	74849	Body
DIVOT REPAIR KIT (BASKET)	75007	Body
MESSAGE HOLDER KIT (REQUIRES SUN TOP) . . .75509G01		Body
MESSAGE HOLDER KIT (REQUIRES SUN TOP) . . .75496G01		Body
REAR VIEW MIRROR (REQUIRES SUN TOP)	19528G2	Weather Protection - Golf Car
SAND BOTTLE	28661G**	Body
SAND RAKE	14735G1	Body
SAND RAKE HOLDER	75006G01	Body
SIDE BASKET	75007G**	Body
SUN TOP KIT, GOLF CAR	75040G**	Weather Protection - Golf Car
TOW BAR KIT (CASUAL)	75033G01	Tow Bar - Casual
TOW BAR KIT (PERMANENT)	75304G01	Tow Bar - Permanent
WINDSHIELD KIT, GOLF CAR	75524G01	Weather Protection, Golf Car
WINDSHIELD KIT, FOLD DOWN, GOLF CAR	74910G01	Weather Protection, Golf Car
TIRE DOMINATOR 20X11-10	605316	Wheels and Tires
PATHFINDER TIRE, BRUSHED WHEEL LH	605355	Wheels and Tires

OPTIONS AND ACCESORIES

PATHFINDER TIRE, BRUSHED WHEEL RH	605356	Wheels and Tires
PRO TOUR - POLISHED WHEEL	605317	Wheels and Tires
PRO TOUR, TIRE 205/50-10	605315	Wheels and Tires
V-STEM-BRUSHED SPOKED WHEEL	605351	Wheels and Tires
PRO BRUSHED WHEEL	605318	Wheels and Tires
DOMINATOR - POLISHED WHEEL	605319	Wheels and Tires
DOMINATOR - BRUSHED WHEEL	605320	Wheels and Tires
CHROME CENTER CAP - SPOKED WHEEL	604929	Wheels and Tires
NUT, LUG-CHROME	605310	Wheels and Tires
V-STEM-POLISHED SPOKED WHEEL	605311	Wheels and Tires
PATHFINDER TIRE 22X11-10	604928	Wheels and Tires
PATHFINDER TIRE, POLISHED WHEEL LH	604930	Wheels and Tires
PATHFINDER TIRE, POLISHED WHEEL RH	605228	Wheels and Tires
JACK-UP KIT	74786G02	Wheels and Tires
BFS - INSTALLATION	607108	Electrical System
NOZZLE GUN - BFS-08	608813	Electrical System
CLUB AND BALL WASHER KIT	627900	Body
SVC-KIT, VPS W/O MAIN PLUG (For TXT FLEET 48V DC)	617188	Electrical System
SVC-KIT, VPS WITH MAIN PLUG (For TXT Freedom 48V DC and TXT 2+2 48V DC)	617187	Electrical System



A Textron Company

E-Z-GO Division of Textron Inc.,
1451 Marvin Griffin Road, Augusta, Georgia 30906 - 3852 USA

TO CONTACT US...

North America:

**Technical Assistance & Warranty
Service Parts**

Phone: 1-800-774-3946, FAX: 1-800-448-8124

Phone: 1-888-GET-E-Z-GO (1-888-438-3946), FAX: 1-800-752-6175

International:

Phone: 001-706-798-4311, FAX: 001-706-771-4609

Copyrighted Material
This manual may not be reproduced in whole or
in part without the express permission of
E-Z-GO Division of Textron, Inc.
Technical Communications Department